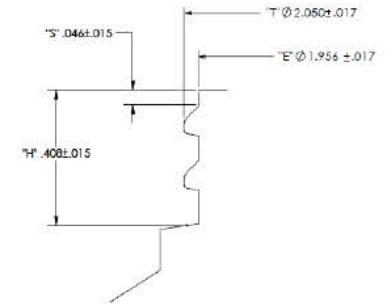
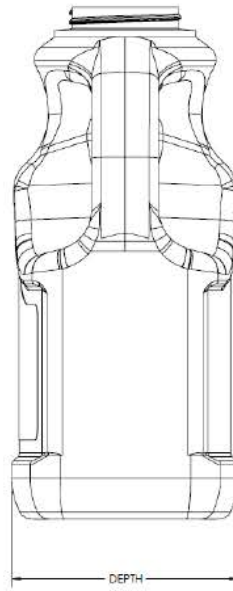
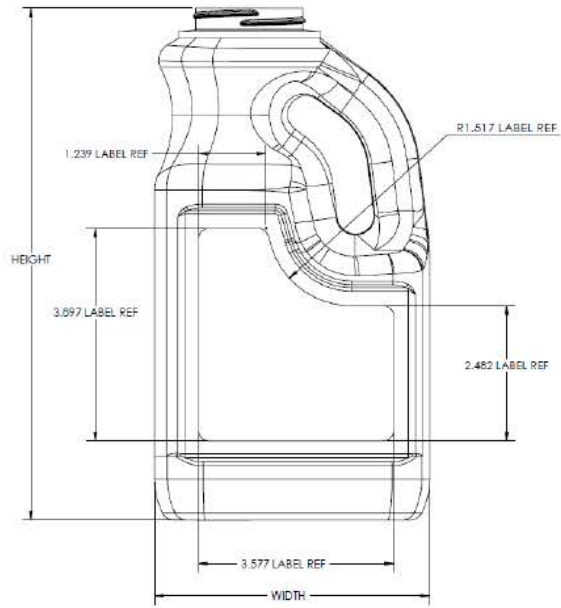
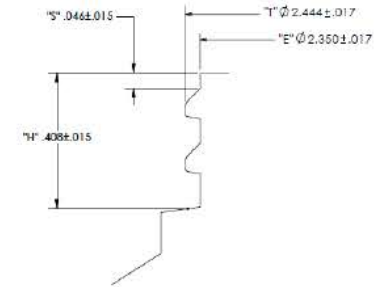


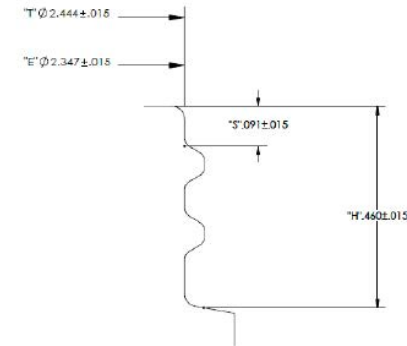
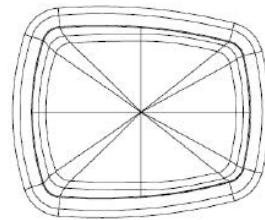
FINISH	WEIGHT (G)	HEIGHT (IN)	WIDTH (IN)	DEPTH (IN)	OFC (ML)	P/N
M53SP400	90 ± 5	9.375 ± .060	5.040 ± .050	4.150 ± .050	2011 ± 44	CE-064-0023-B
63MM CT	90 ± 5	9.347 ± .060	5.040 ± .050	4.150 ± .050	2011 ± 44	CE-064-0005-B
63MM MULTI LEAD	90 ± 5	9.425 ± .060	5.040 ± .050	4.150 ± .050	2026 ± 44	CE-064-0009-A



FINISH - M53SP400
SINGLE LEAD
6 T.P.I.



FINISH - 63MM CT
SINGLE LEAD
6 T.P.I.



FINISH - 63MM MULTI LEAD
QUAD LEAD
7 T.P.I.

DISCLAIMER

THIS INFORMATION IS PROVIDED AS A GENERAL GUIDE, INCLUDING DIMENSIONS. IT IS THE CUSTOMER'S RESPONSIBILITIES TO SELECT THE PROPER CONTAINER FOR PRODUCT AND APPLICATION COMPATIBILITY.

DISTRIBUTED BY:



REF NO.:

DESCRIPTION: