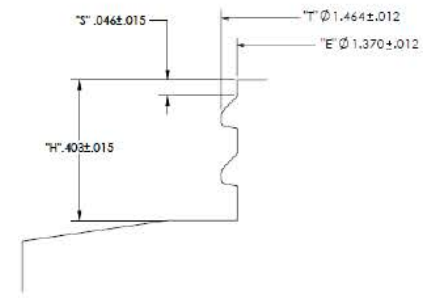
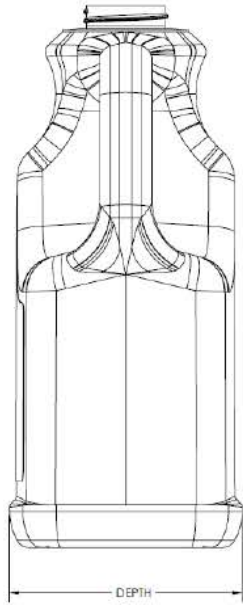
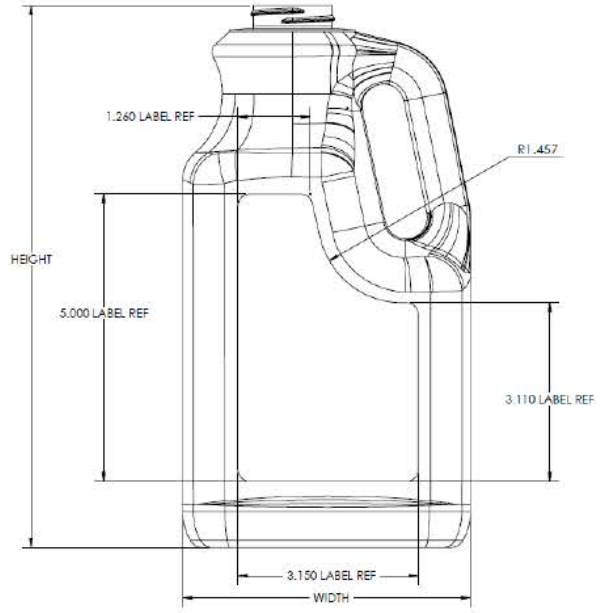
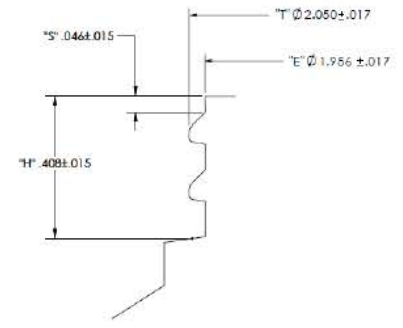


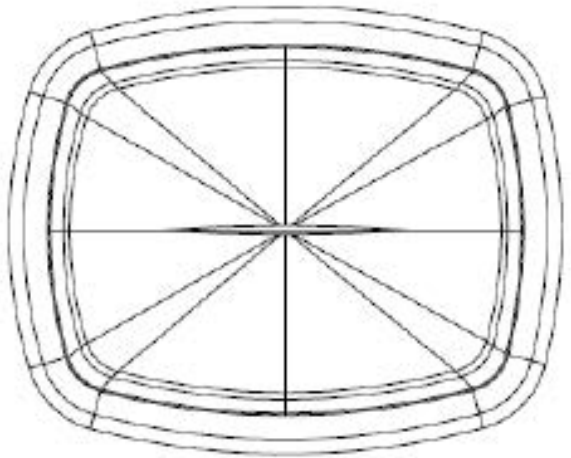
FINISH	WEIGHT (G)	HEIGHT (IN)	WIDTH (IN)	DEPTH (IN)	OFC (ML)	P/N
M38SP400	90 ± 5	9.500 ± .060	5.020 ± .050	4.056 ± .050	1957 ± 24	CE-064-0017-A
M38SP400	80 ± 5	9.500 ± .060	5.020 ± .050	4.056 ± .050	1972 ± 44	CE-064-0019-A
M53SP400	90 ± 5	9.434 ± .060	5.020 ± .050	4.056 ± .050	1957 ± 24	D-3926-P2



**FINISH - M38SP400**  
SINGLE LEAD  
6 T.P.I.



**FINISH - M53SP400**  
SINGLE LEAD  
6 T.P.I.



**DISCLAIMER**  
THIS INFORMATION IS PROVIDED AS A GENERAL GUIDE, INCLUDING DIMENSIONS. IT IS THE CUSTOMER'S RESPONSIBILITIES TO SELECT THE PROPER CONTAINER FOR PRODUCT AND APPLICATION COMPATIBILITY.

DISTRIBUTED BY: REF NO.:  
DESCRIPTION: