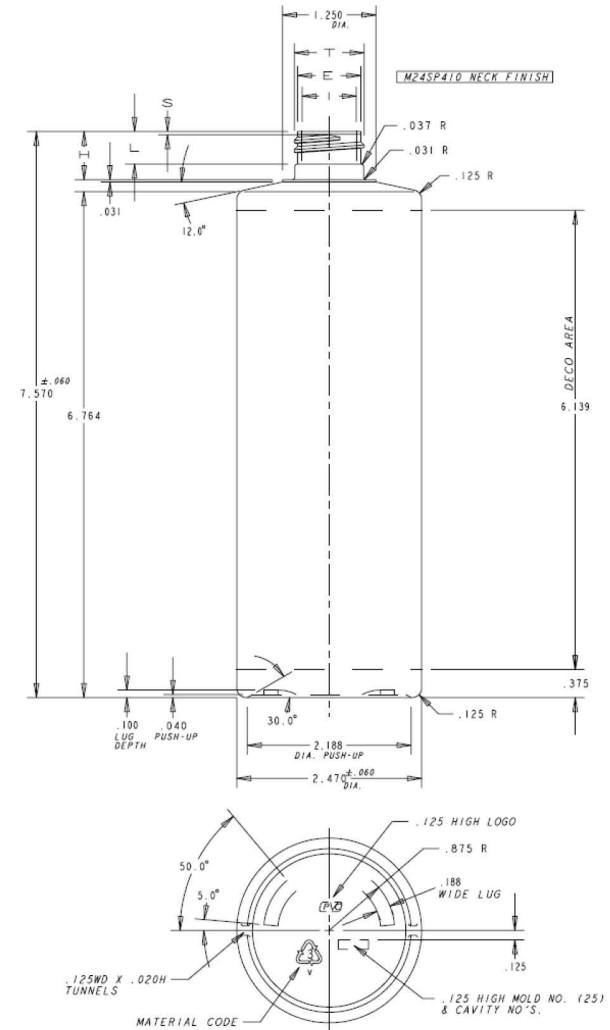
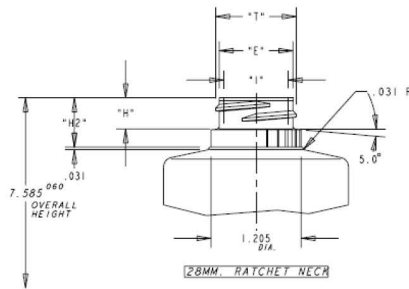
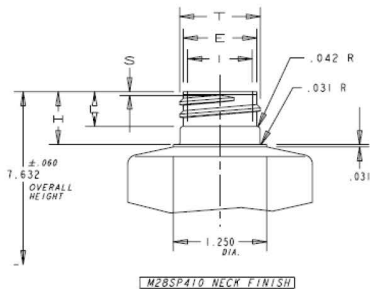
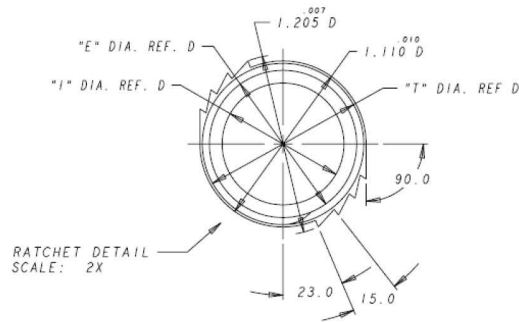
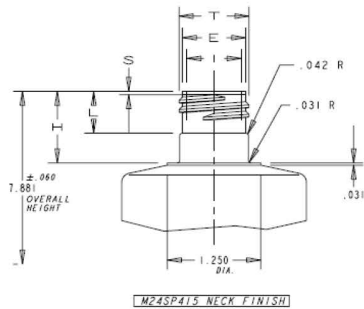


NECK FINISH	BOTTLE WEIGHT (±1.5GR.)	OVERFLOW CAPACITY (±11.0CC.)	BOTTLE WEIGHT (±1.5GR.) ***	OVERFLOW CAPACITY (±11.0CC.) ***	"T" DIA	"E" DIA	"H" DIM	"S" DIM	"L" MIN	"I" DIA	
M24SP410	32.7	34.0	513.0	38.0-40.0	508.0	.940 .924	.856 .840	.661 .631	.061 .031	.437	.516 MIN
M24SP415	34.0	35.3	512.0			.940 .924	.856 .840	.972 .942	.061 .031	.561	.516 MIN
M28SP400	31.6	32.9	511.0	35.0 38.0	510.0 508.0	1.088 1.068	.994 .974	.445 .415	.061 .031		.614 MIN
M28SP410	33.0	34.3	514.0	38.0-40.0	511.0	1.088 1.068	.994 .974	.723 .693	.061 .031	.463	.614 MIN
M28SP440	36.0	37.3	512.0			1.088 1.068	.994 .974	.561 .531	.061 .031	.423	.845 .835
28MM RATCHET	33.0	34.3	516.0	38.0	513.0	1.088 1.068	.991 .971	"H" * .436 .406	"H2" * .678 .646	.061 .031	.860 .712

BODY DIMENSIONAL TOLERANCES (EXCEPT AS NOTED)		
DIMENSION (INCHES)	TOLERANCE	
	NEIGHT	WIDTH & DEPTH
LESS THAN 1.000	.030	.030
1.000 AND LESS THAN 2.000	.030	.050
2.000 AND LESS THAN 4.000	.050	.060
4.000 AND LESS THAN 6.000	.050	.080
6.000 AND LESS THAN 8.000	.060	.090
8.000 AND LESS THAN 10.000	.060	.110
10.000 AND LESS THAN 12.000	.080	.120
12.000 AND LESS THAN 15.000	.090	.150
15.000 AND LESS THAN 18.000	.110	.150



DISCLAIMER

THIS INFORMATION IS PROVIDED AS A GENERAL GUIDE, INCLUDING DIMENSIONS. IT IS THE CUSTOMER'S RESPONSIBILITIES TO SELECT THE PROPER CONTAINER FOR PRODUCT AND APPLICATION COMPATIBILITY.

DISTRIBUTED BY:



REF NO.:

DESCRIPTION: