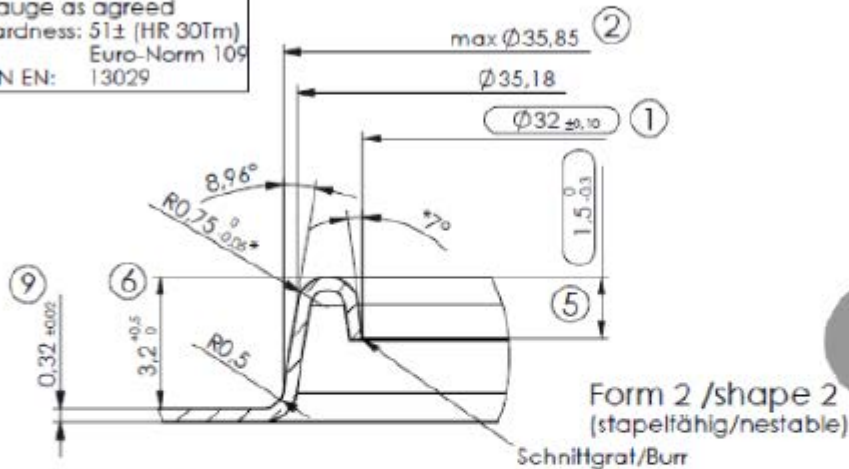
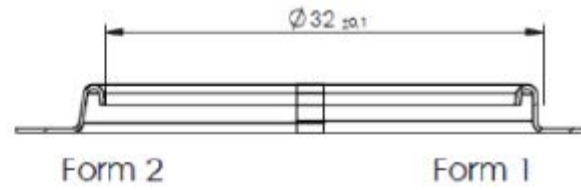
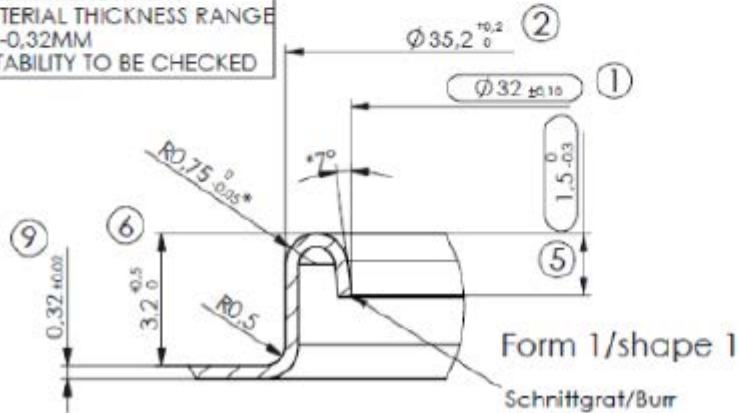


Weißblech-Feinstblech:
 Blechstärke nach Absprache
 Härte: 51±4 (HR 30Tm)
 Euro-Norm 109
 DIN EN: 13029

Tinplate-Blackplate:
 Gauge as agreed
 Hardness: 51± (HR 30Tm)
 Euro-Norm 109
 DIN EN: 13029



RECOMMENDATION
 MATERIAL THICKNESS RANGE
 0.22-0.32MM
 SUITABILITY TO BE CHECKED



Excerpt from DIN 16901 series 150

| Dimension | 0-3 | 3-6 | 6-10 | 10-15 | 15-22 | 22-30 | 30-40 | 40-53 | 53-70 |
|-----------|-------|-------|------|-------|-------|-------|-------|-------|-------|
| Tolerance | ±0,15 | ±0,17 | ±0,2 | ±0,24 | ±0,28 | ±0,33 | ±0,39 | ±0,47 | ±0,56 |

DISCLAIMER

THIS INFORMATION IS PROVIDED AS A GENERAL GUIDE, INCLUDING DIMENSIONS. IT IS THE CUSTOMER'S RESPONSIBILITIES TO SELECT THE PROPER CONTAINER FOR PRODUCT AND APPLICATION COMPATIBILITY.

DISTRIBUTED BY:



REF NO.:

DESCRIPTION: