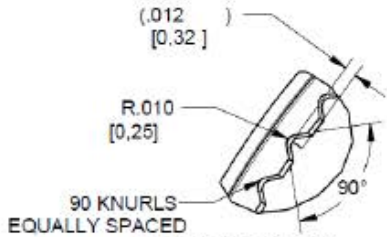
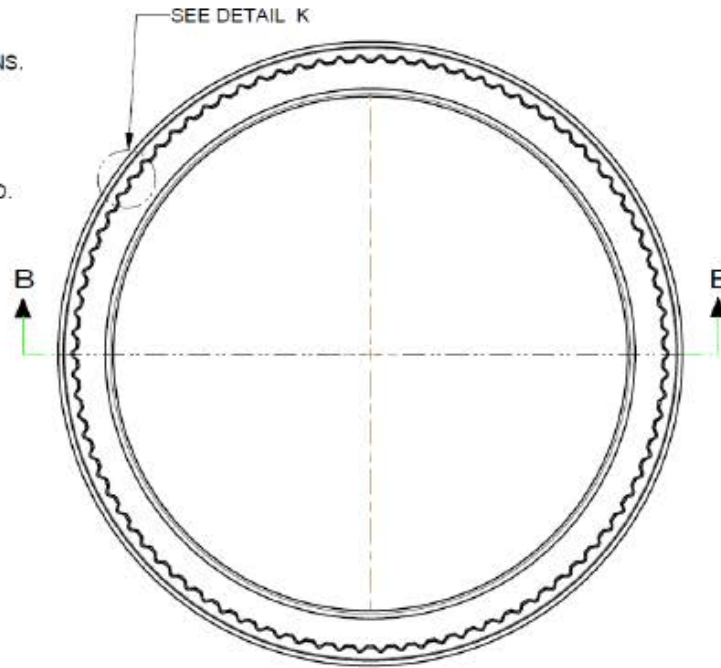


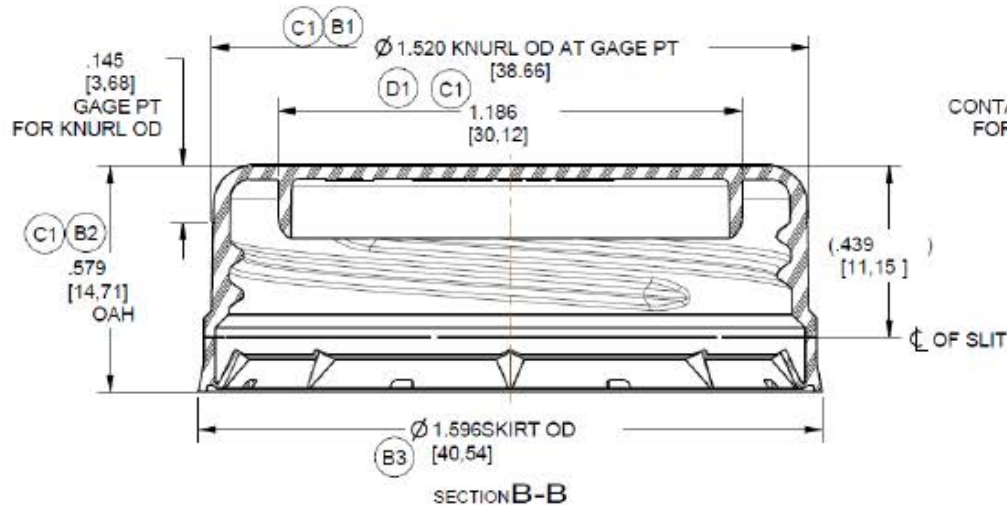
NOTES: UNLESS OTHERWISE SPECIFIED:

1. MATERIAL: HDPE PER PORTOLA PACKAGING, INC. (PPI) SPECIFICATIONS.
2. PRINTING OR LABELING: PER PPI SPECIFICATIONS.
3. COLOR: PER PPI SPECIFICATIONS
4. PART WEIGHT: CAP 2.6G AVG.
5. THREAD DATA: 3 LEADS AT 120 ° APART
180 ° FULL THREAD PER LEAD.
6. METRIC DIMENSIONS GIVEN IN [X.XX].
7. DO NOT SCALE DRAWING.



KNURL VIEW

DETAIL K
SCALE 10/1



SECTION B-B



SCALE 1/1

UNCONTROLLED
DOCUMENT
11/29/11, SSK

CONTACT PORTOLA PACKAGING, INC.
FOR BOTTLE FINISH INFORMATION



CLOSURE APPLICATION

SECTION R-R
SCALE 6/1

DISCLAIMER

THIS INFORMATION IS PROVIDED AS A GENERAL GUIDE, INCLUDING DIMENSIONS. IT IS THE CUSTOMER'S RESPONSIBILITIES TO SELECT THE PROPER CONTAINER FOR PRODUCT AND APPLICATION COMPATIBILITY.

DISTRIBUTED BY:



REF NO.:

DESCRIPTION: