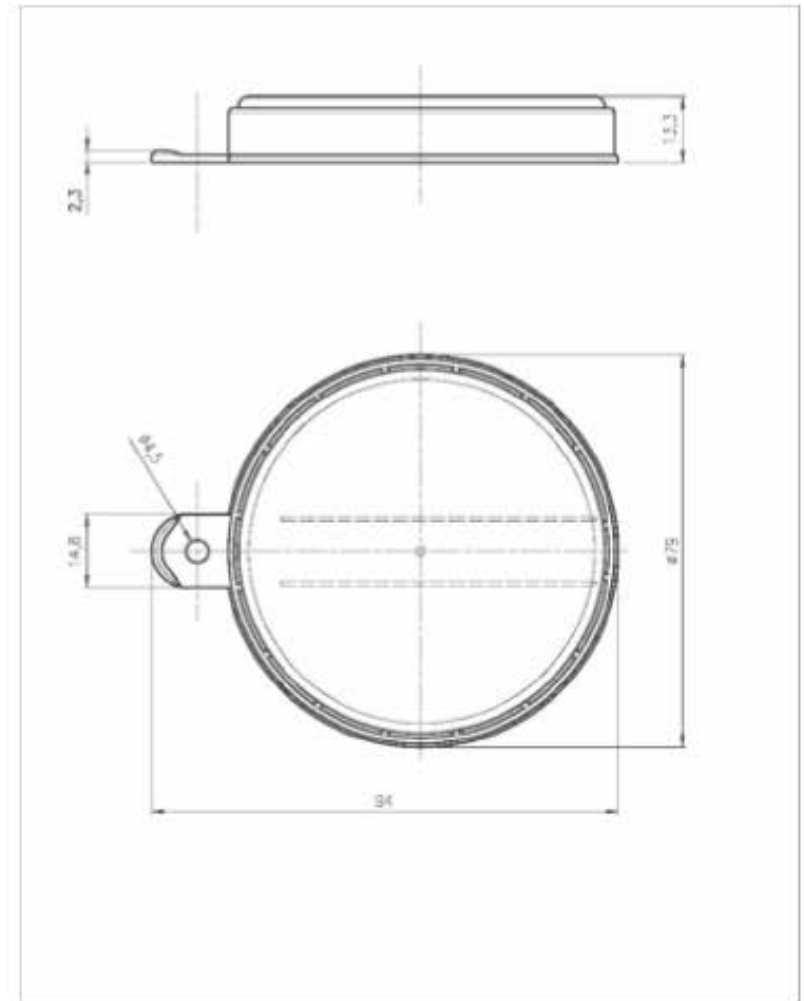


GENERAL INFORMATION

- Product group: Caps or Seals
- Type model: Suitable to fit on all metal Tab-Seal® cap compatible necks; Full Plastic; No tooling required
- Material: Polyethylene
- Size: G2 (50mm) Cap
- Surface print / Finish:
- Washer: No washer

PACKAGING INFORMATION

- Component weight (grams): 13
- Box quantity (pieces): 500
- Box weight (kg): 6
- Pallet quantity: 9000
- Pallet weight (kg): 154



Material: PE

Finish:

COMMENTS

- More information about application can be found on our website under "Library of brochures". Please contact your local Tri-Sure® Sales representative for packaging advice and testing for specific products.
- For the correct application of our products general information is available on our website www.Tri-Sure.com.

DISCLAIMER

THIS INFORMATION IS PROVIDED AS A GENERAL GUIDE, INCLUDING DIMENSIONS. IT IS THE CUSTOMER'S RESPONSIBILITIES TO SELECT THE PROPER CONTAINER FOR PRODUCT AND APPLICATION COMPATIBILITY.

DISTRIBUTED BY:



REF NO.:

DESCRIPTION: