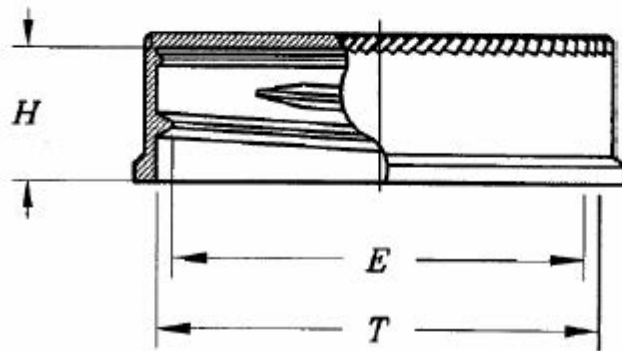


OVERCAP



NOTE: (H) Size without liner.



INNERCAP

| SIZE  | A          | B          | C         | H         | E          | T          | THD'S PER INCH |
|-------|------------|------------|-----------|-----------|------------|------------|----------------|
| 24 MM | 1.170±.015 | 1.203±.015 | .675±.015 | .410±.015 | .878±.007  | .942±.007  | 8              |
| 28 MM | 1.355±.015 | 1.378±.015 | .675±.015 | .420±.015 | 1.008±.007 | 1.086±.007 | 6              |
| 33 MM | 1.532±.015 | 1.558±.015 | .675±.015 | .420±.015 | 1.194±.007 | 1.269±.007 | 6              |
| 38 MM | 1.735±.015 | 1.770±.015 | .675±.015 | .415±.015 | 1.396±.007 | 1.476±.007 | 6              |
| 45 MM | 2.010±.015 | 2.040±.015 | .715±.015 | .430±.015 | 1.657±.007 | 1.742±.007 | 6              |
| 53 MM | 2.373±.015 | 2.395±.015 | .750±.015 | .430±.015 | 1.989±.007 | 2.071±.007 | 6              |

DISCLAIMER

THIS INFORMATION IS PROVIDED AS A GENERAL GUIDE, INCLUDING DIMENSIONS. IT IS THE CUSTOMER'S RESPONSIBILITIES TO SELECT THE PROPER CONTAINER FOR PRODUCT AND APPLICATION COMPATIBILITY.

DISTRIBUTED BY:



REF NO.:

DESCRIPTION: