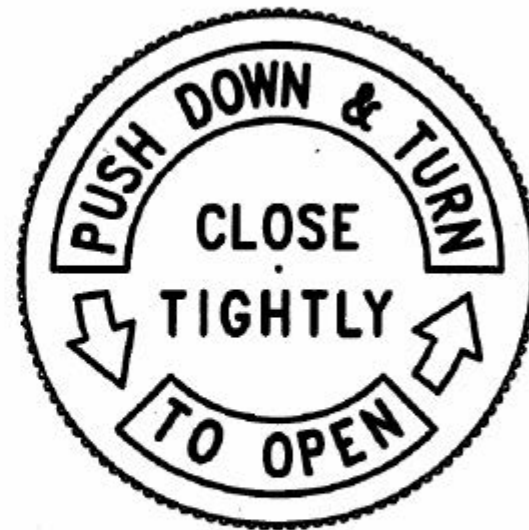
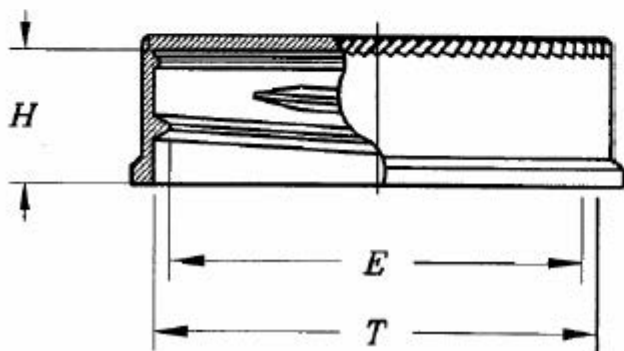


OVERCAP



NOTE: (H) Size without liner.



INNERCAP

SIZE	A	B	C	H	E	T	THD'S PER INCH
24 MM	1.170±.015	1.203±.015	.675±.015	.410±.015	.878±.007	.942±.007	8
28 MM	1.355±.015	1.378±.015	.675±.015	.420±.015	1.008±.007	1.086±.007	6
33 MM	1.532±.015	1.558±.015	.675±.015	.420±.015	1.194±.007	1.269±.007	6
38 MM	1.735±.015	1.770±.015	.675±.015	.415±.015	1.396±.007	1.476±.007	6
45 MM	2.010±.015	2.040±.015	.715±.015	.430±.015	1.657±.007	1.742±.007	6
53 MM	2.373±.015	2.395±.015	.750±.015	.430±.015	1.989±.007	2.071±.007	6

DISCLAIMER

THIS INFORMATION IS PROVIDED AS A GENERAL GUIDE, INCLUDING DIMENSIONS. IT IS THE CUSTOMER'S RESPONSIBILITIES TO SELECT THE PROPER CONTAINER FOR PRODUCT AND APPLICATION COMPATIBILITY.

DISTRIBUTED BY:



REF NO.:

DESCRIPTION: