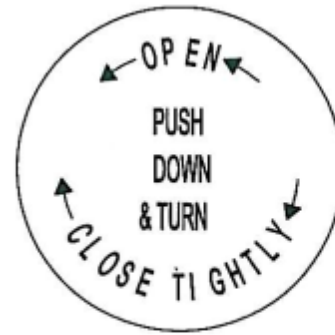
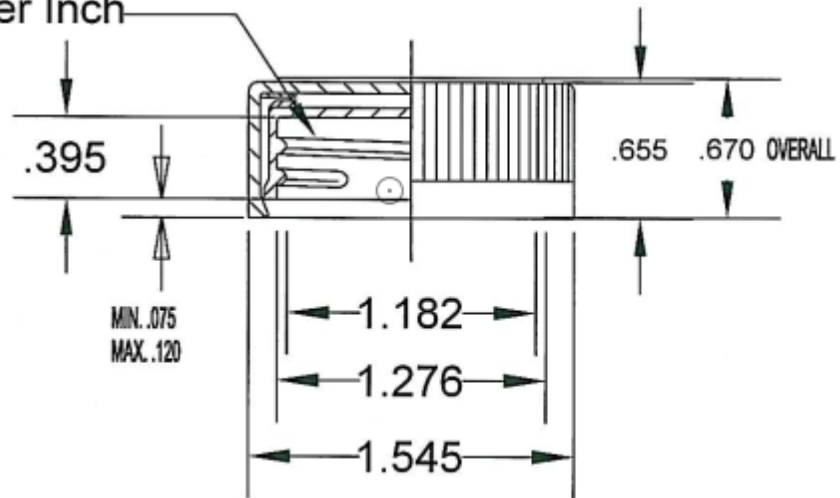


**TWO PIECE CAP
ASSEMBLED**



6 Threads Per Inch



"T"	"E"	"H"	"A"	"B"
1.276	1.182	.395	1.545	.670
MATERIAL:		POLYPROPYLENE		
WEIGHT:		6.2 GRAMS (+/- 1 gram)		

DISCLAIMER

THIS INFORMATION IS PROVIDED AS A GENERAL GUIDE, INCLUDING DIMENSIONS. IT IS THE CUSTOMER'S RESPONSIBILITIES TO SELECT THE PROPER CONTAINER FOR PRODUCT AND APPLICATION COMPATIBILITY.

DISTRIBUTED BY:



REF NO.:

DWG30809

DESCRIPTION:

33-400 White PP Child Resistant Cap with SG75 Printed Liner

Product	.020" Pulp SG-75M																				
Scope	Two piece white-lined pulp backed heat induction foil innerseal that will provide a tamper evident seal to PE containers.																				
Composition	<table border="1"> <thead> <tr> <th>Material</th> <th>Standard</th> <th>Metric</th> </tr> </thead> <tbody> <tr> <td>Pulp</td> <td>0.020"</td> <td>0.508mm</td> </tr> <tr> <td>Wax</td> <td>-</td> <td>-</td> </tr> <tr> <td>Foil</td> <td>0.001"</td> <td>0.025mm</td> </tr> <tr> <td>PET Film</td> <td>0.0005"</td> <td>0.013mm</td> </tr> <tr> <td>Heat Seal</td> <td>0.0015"</td> <td>0.038mm</td> </tr> </tbody> </table>	Material	Standard	Metric	Pulp	0.020"	0.508mm	Wax	-	-	Foil	0.001"	0.025mm	PET Film	0.0005"	0.013mm	Heat Seal	0.0015"	0.038mm		
Material	Standard	Metric																			
Pulp	0.020"	0.508mm																			
Wax	-	-																			
Foil	0.001"	0.025mm																			
PET Film	0.0005"	0.013mm																			
Heat Seal	0.0015"	0.038mm																			
FDA Status: 21 CFR 177.1210	Recommended Storage and Handling: Refer to website																				
Drug Master File (DMF): 3782	EU / EP Reg.:																				
GTR Oxygen: Essentially Zero	MVTR: Essentially Zero																				
Print Location (if any): Aluminum Foil																					

DISCLAIMER

THIS INFORMATION IS PROVIDED AS A GENERAL GUIDE, INCLUDING DIMENSIONS. IT IS THE CUSTOMER'S RESPONSIBILITIES TO SELECT THE PROPER CONTAINER FOR PRODUCT AND APPLICATION COMPATIBILITY.

DISTRIBUTED BY:



REF NO.:

DWG30809

DESCRIPTION:

33-400 White PP Child Resistant Cap with SG75 Printed Liner