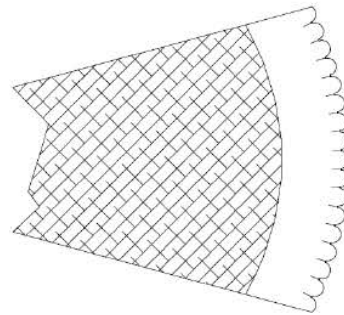
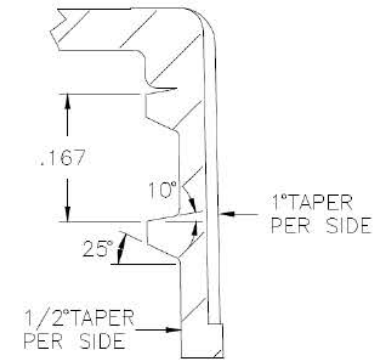


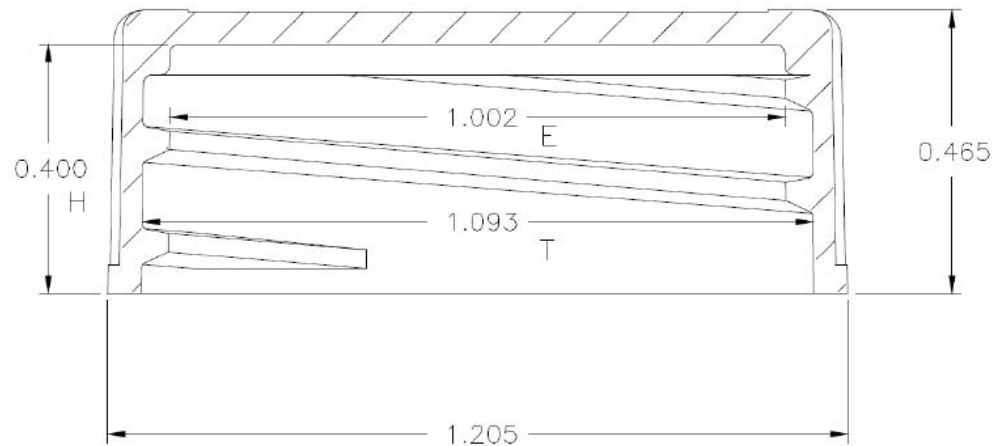
TOP VIEW
SCALE: 2.5=1



110 RIBS
EQUALLY SPACED
RIB DETAIL
SCALE: 3=1



6 THREADS PER INCH
.167 LEAD
THREAD DETAIL
SCALE: 4=1



CAP SECTION
SCALE: 3=1

DISCLAIMER

THIS INFORMATION IS PROVIDED AS A GENERAL GUIDE, INCLUDING DIMENSIONS. IT IS THE CUSTOMER'S RESPONSIBILITIES TO SELECT THE PROPER CONTAINER FOR PRODUCT AND APPLICATION COMPATIBILITY.

DISTRIBUTED BY:



REF NO.:

DESCRIPTION: