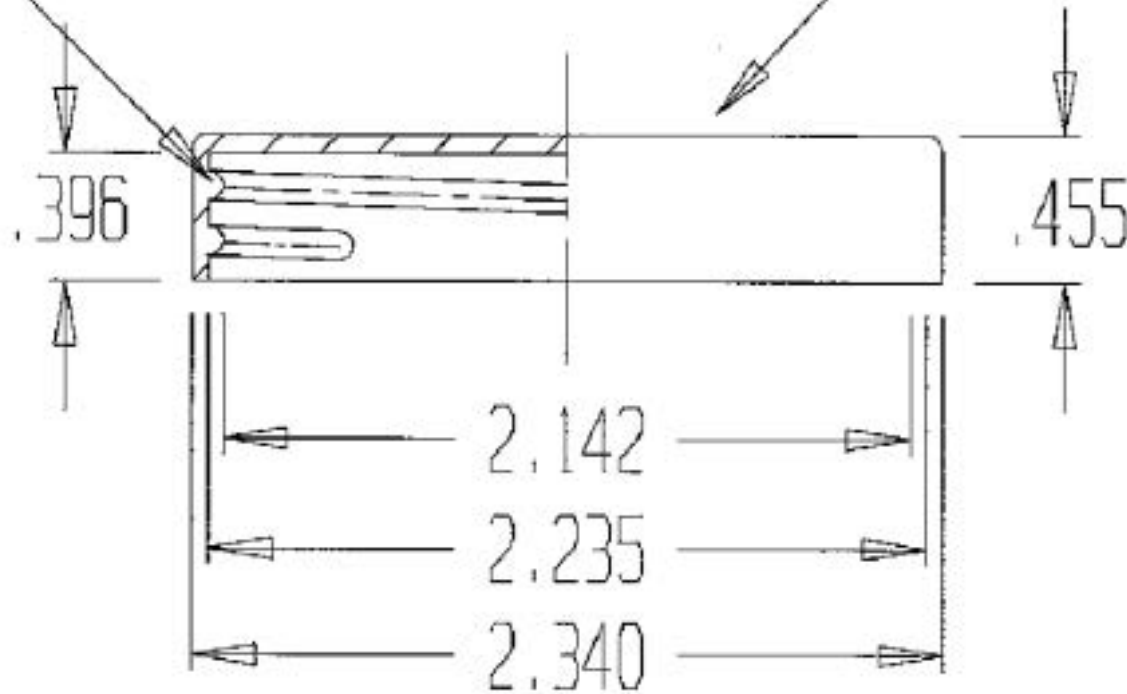


6 T.P.I.

SMOOTH TOP



## UNCONTROLLED

"T"	"E"	"H"	"A"	"B"
2.235	2.142	.396	2.340	.455
MATERIAL: POLYPROPYLENE				
WEIGHT: 5.8 GRAMS +/- 1.5 grams				

### DISCLAIMER

THIS INFORMATION IS PROVIDED AS A GENERAL GUIDE, INCLUDING DIMENSIONS. IT IS THE CUSTOMER'S RESPONSIBILITIES TO SELECT THE PROPER CONTAINER FOR PRODUCT AND APPLICATION COMPATIBILITY.

DISTRIBUTED BY:



REF NO.:

DESCRIPTION: