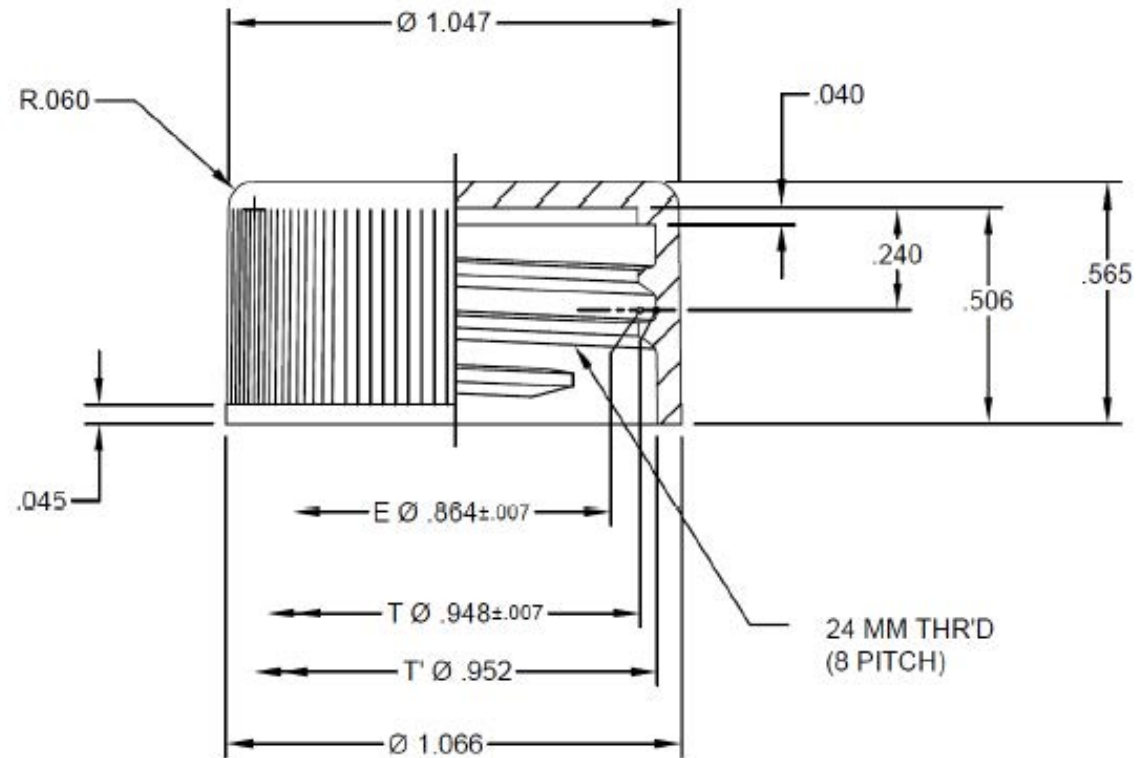


THREAD PROFILE
SCALE 20:1

NOTES:

1. OLD DWG. No. PS 75101-C
2. MATERIAL: POLYPROPYLENE
3. TOLERANCES: $\pm 0.10"$ U.O.S.



DISCLAIMER

THIS INFORMATION IS PROVIDED AS A GENERAL GUIDE, INCLUDING DIMENSIONS. IT IS THE CUSTOMER'S RESPONSIBILITIES TO SELECT THE PROPER CONTAINER FOR PRODUCT AND APPLICATION COMPATIBILITY.

DISTRIBUTED BY:



REF NO.:

DESCRIPTION: