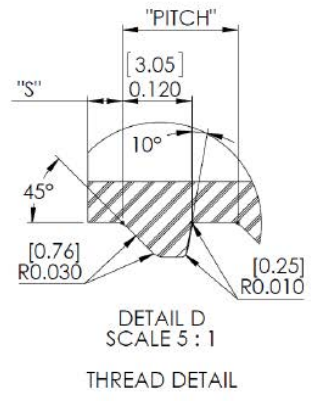
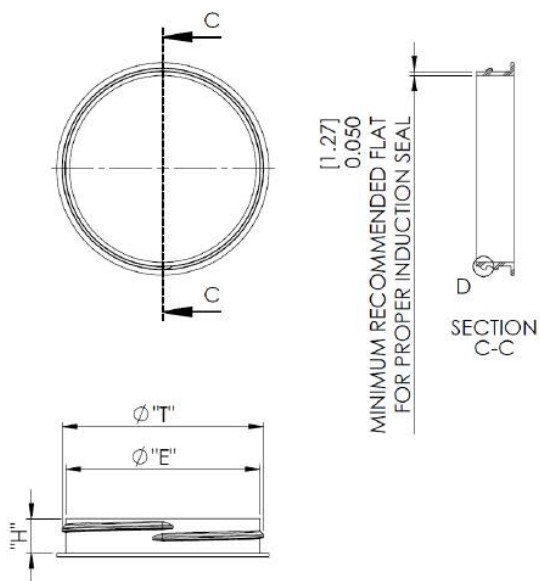
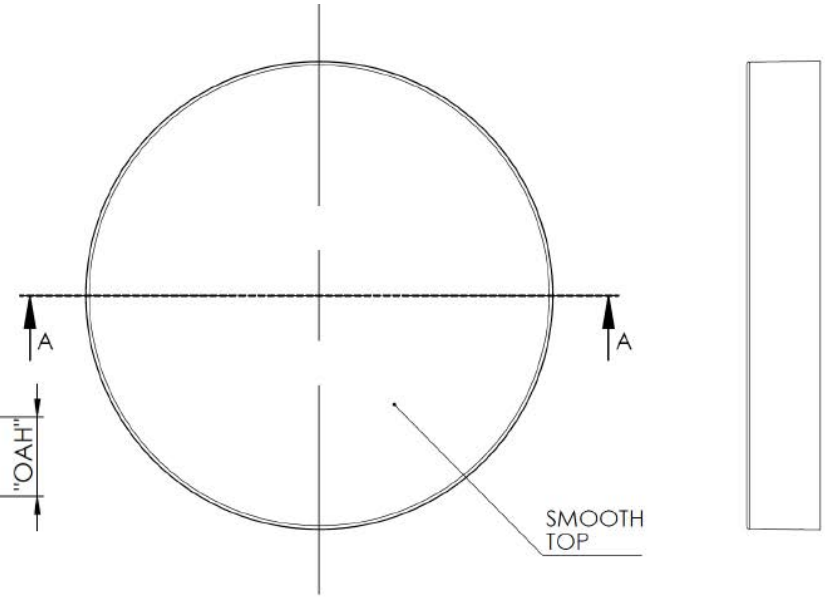
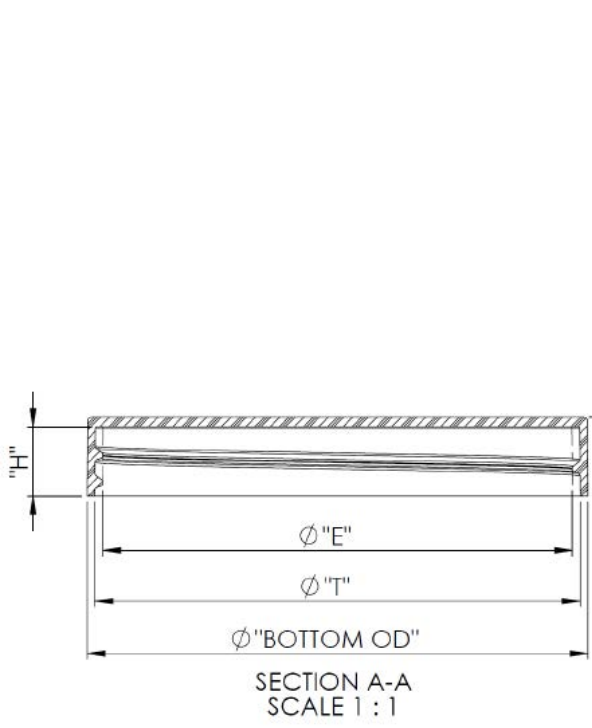


Recommended Neck Finish



|                  | TOLERANCE     | UNITS   |               |
|------------------|---------------|---------|---------------|
| E                | ±0.017 [0.43] | in [mm] | 3.374 [85.70] |
| T                | ±0.017 [0.43] | in [mm] | 3.494 [88.75] |
| H                | ±0.017 [0.38] | in [mm] | 0.597 [15.16] |
| S                | ±0.015 [0.38] | in [mm] | 0.060 [1.52]  |
| THREADS PER INCH |               | in      | 5             |
| PITCH            |               | in [mm] | 0.200 [5.08]  |



|             | TOLERANCE     | UNITS   |               |
|-------------|---------------|---------|---------------|
| T           | ±0.010 [0.25] | in [mm] | 3.525 [89.54] |
| E           | ±0.010 [0.25] | in [mm] | 3.410 [86.61] |
| H           | ±0.010 [0.20] | in [mm] | 0.505 [12.83] |
| OAH         | ±0.010 [0.25] | in [mm] | 0.576 [14.63] |
| BOTTOM OD   | ±0.010 [0.25] | in [mm] | 3.637 [92.38] |
| PART WEIGHT | ±1.0          | g       | 14.85         |

|  |                 |          |
|--|-----------------|----------|
| <b>DISCLAIMER</b>  | DISTRIBUTED BY: | REF NO.: |
| THIS INFORMATION IS PROVIDED AS A GENERAL GUIDE, INCLUDING DIMENSIONS. IT IS THE CUSTOMER'S RESPONSIBILITIES TO SELECT THE PROPER CONTAINER FOR PRODUCT AND APPLICATION COMPATIBILITY. | DESCRIPTION:    |          |