



Specifications:

DIAMETER 38 mm
THREAD PROFILE 400
NECK FINISH 38-400
CLOSURE TOP Stipple
CLOSURE SIDEWALL Fine Ribbed
MATERIAL PP

PACKAGING & FREIGHT INFORMATION

PACK TYPE	PCS/CTN	CTNS/PALT	PCS/PALT	CTN WT*	PALT WT*	FRT CLASS
Bulk	3,750	15	56,250	29 ⁽¹⁾	440 ⁽¹⁾	100 ⁽¹⁾
Bulk	3,750	15	56,250	32 ⁽²⁾	485 ⁽²⁾	100 ⁽²⁾
CARTON DIMENSIONS: 24 x 16 x 15			PALLET DIMENSIONS: 48 x 40 x 50			

(1) Unlined Closures (2) Lined Closures *Approximate

MARKETS


Agricultural, Automotive, Industrial, and Medical Products, Dressings & Sauces, Food, Food Oil & Service, Personal Care & Cosmetics, Pharmaceuticals, Beverages, Household Chemicals, Nutraceuticals, and Dairy Products.

OPTIONS

Available in white, standard, and custom colors. Liners can be cut with tri-tab easy-open feature. Can be embossed or debossed with custom message.

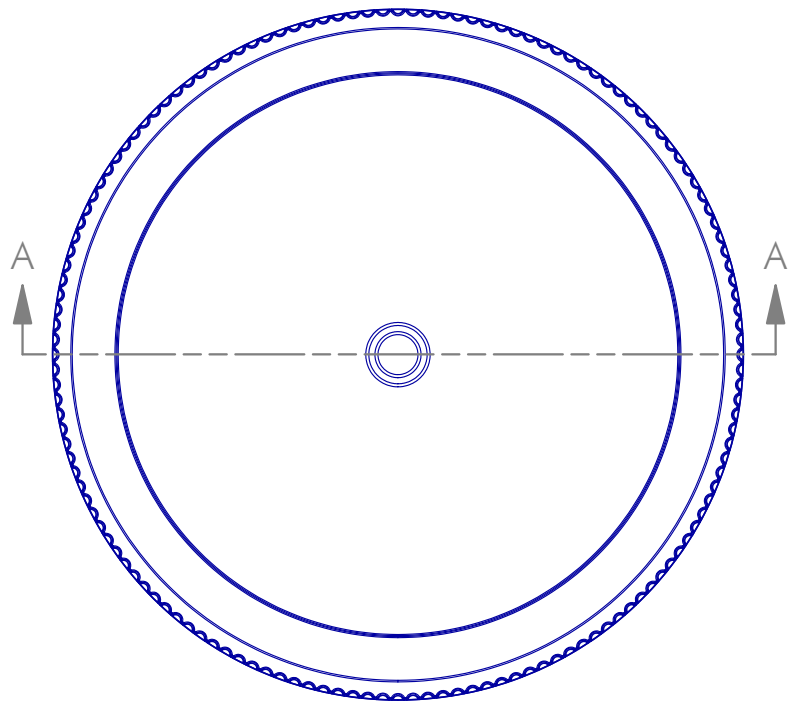
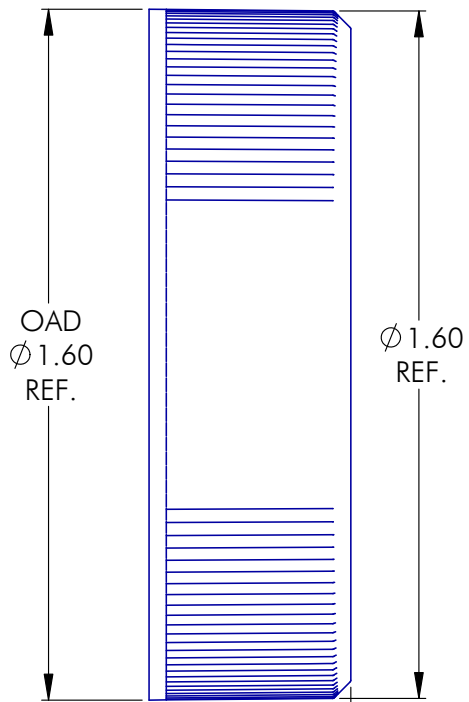
CLOSURE BENEFITS

- A great general-purpose closure
- A proven closure for the Food Oil and Agricultural Chemical markets
- Fine-ribbed sides are easier to grip
- Our most popular closure style
- Popular for cosmetics

DISTRIBUTED BY: 	REF NO.: DWG30590
DESCRIPTION: 38-400 White PP Matte Top, Ribbed Sides Cap w/ Surseal Foam Liner	

DISCLAIMER

THIS INFORMATION IS PROVIDED AS A GENERAL GUIDE, INCLUDING DIMENSIONS. IT IS THE CUSTOMER'S RESPONSIBILITIES TO SELECT THE PROPER CONTAINER FOR PRODUCT AND APPLICATION COMPATIBILITY.



OAH 0.47 REF.

S-1 (@ center) 0.11 REF.

