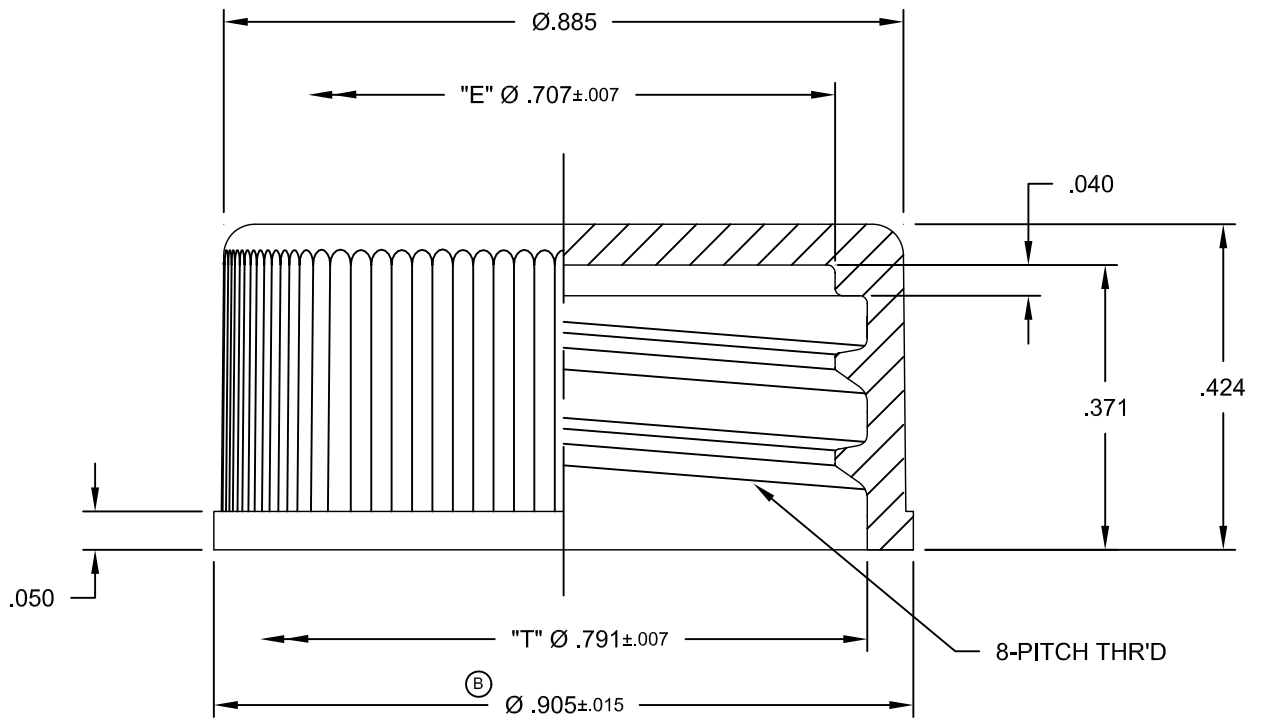
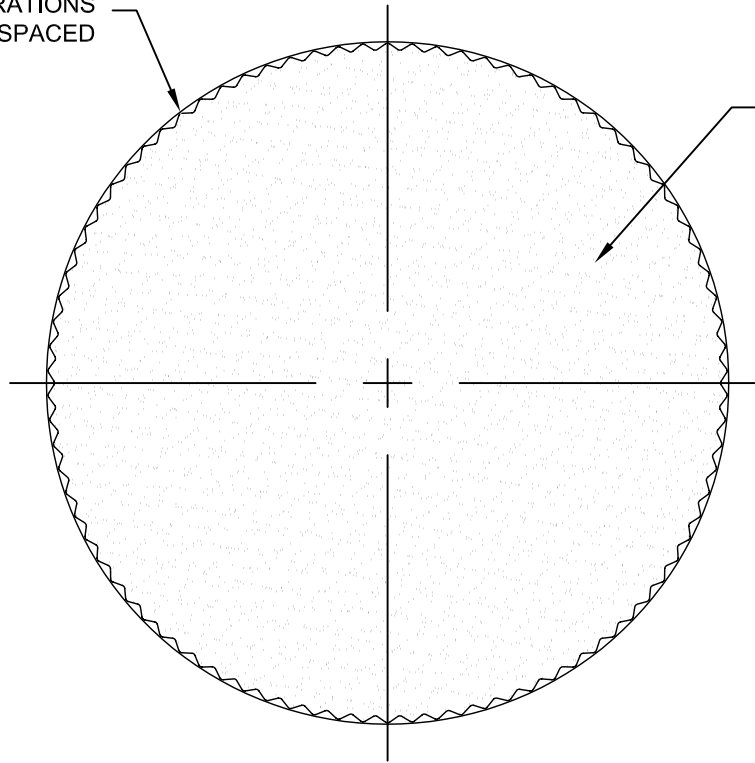


96 SERRATIONS
EQUALLY SPACED

STIPPLE FINISH



DISTRIBUTED BY:



REF NO.:

DWG30825

DISCLAIMER
THIS INFORMATION IS PROVIDED AS A GENERAL GUIDE, INCLUDING DIMENSIONS. IT IS THE CUSTOMER'S RESPONSIBILITIES TO SELECT THE PROPER CONTAINER FOR PRODUCT AND APPLICATION COMPATIBILITY.

DESCRIPTION:

20-400 Black PP Screw Cap Cap with F217 Liner