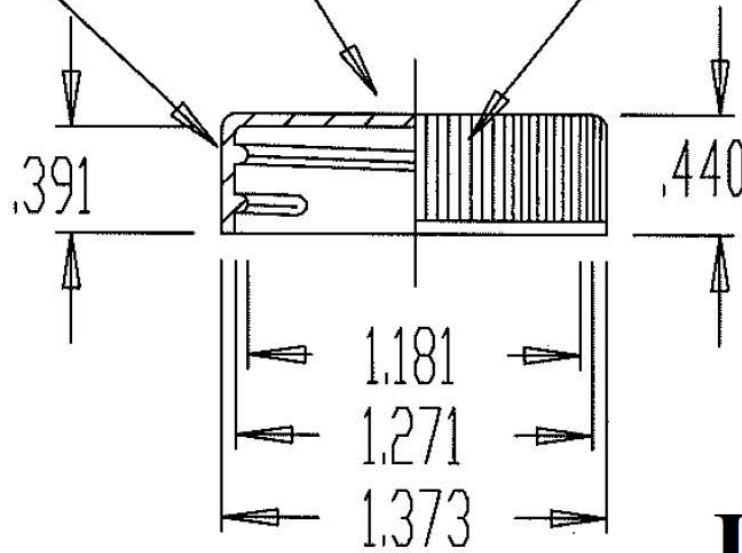


MATT FINISH TOP

6 T.P.I.

RIBS .013/.016



# UNCONTROLLED

"T"	"E"	"H"	"A"	"B"
1.271	1.181	.391	1.373	.440
MATERIAL: POLYPROPYLENE				
WEIGHT: 2.1 GRAMS +/- 1 GRAM				

**DISCLAIMER**

THIS INFORMATION IS PROVIDED AS A GENERAL GUIDE, INCLUDING DIMENSIONS. IT IS THE CUSTOMER'S RESPONSIBILITIES TO SELECT THE PROPER CONTAINER FOR PRODUCT AND APPLICATION COMPATIBILITY.

DISTRIBUTED BY:



REF NO.:

DESCRIPTION: