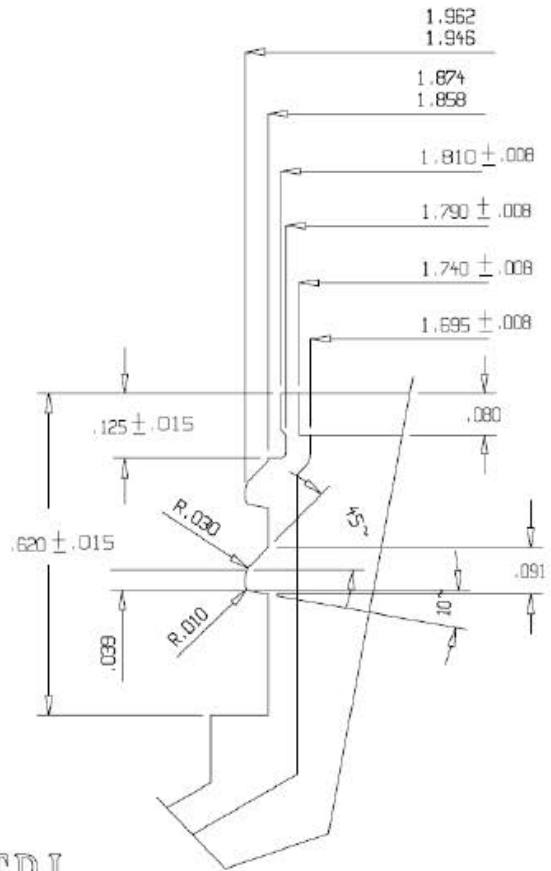
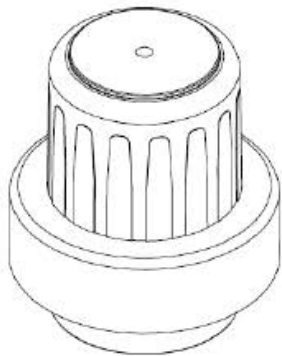
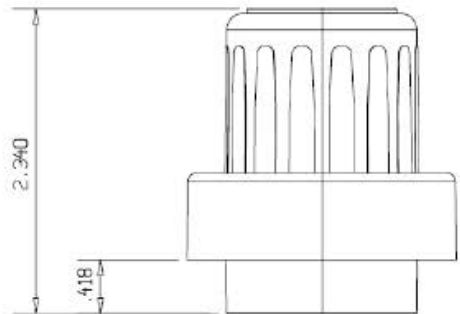
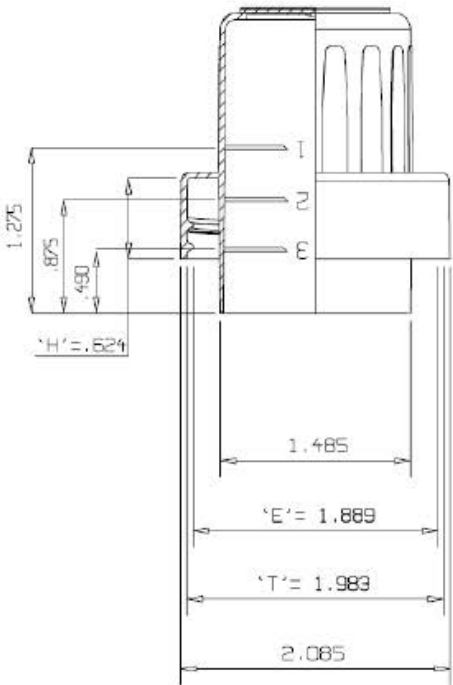



RECOMMENDED NECK FINISH



6 TPI

Fill Lines:
 1- 25 ml
 2- 35 ml
 3- 45 ml
 Brimful- 55 ml

<p align="center">DISCLAIMER</p> <p>THIS INFORMATION IS PROVIDED AS A GENERAL GUIDE, INCLUDING DIMENSIONS. IT IS THE CUSTOMER'S RESPONSIBILITIES TO SELECT THE PROPER CONTAINER FOR PRODUCT AND APPLICATION COMPATIBILITY.</p>	<p>DISTRIBUTED BY: </p>	<p>REF NO.:</p>
<p>DESCRIPTION:</p>		