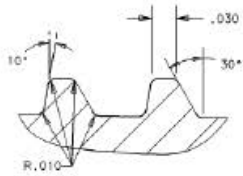
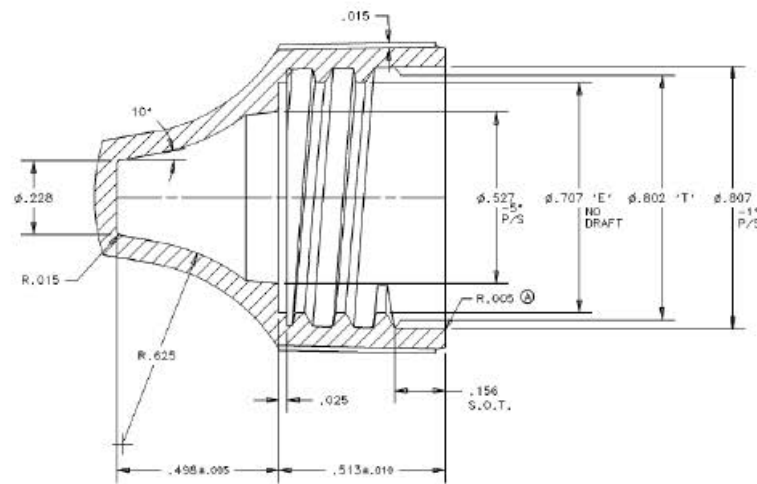
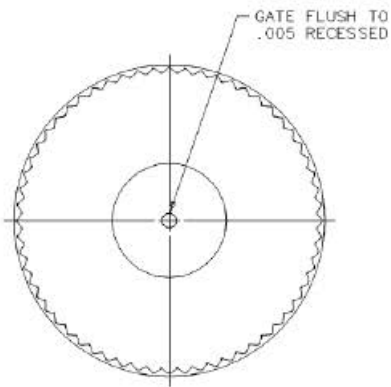
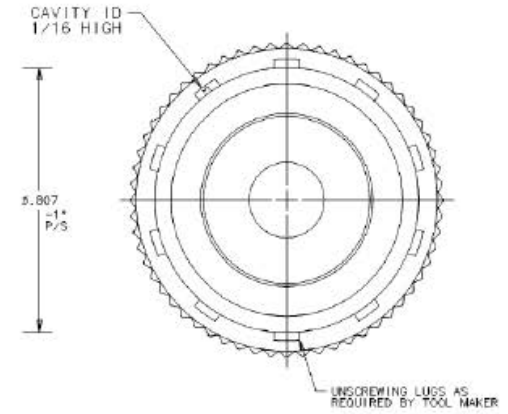
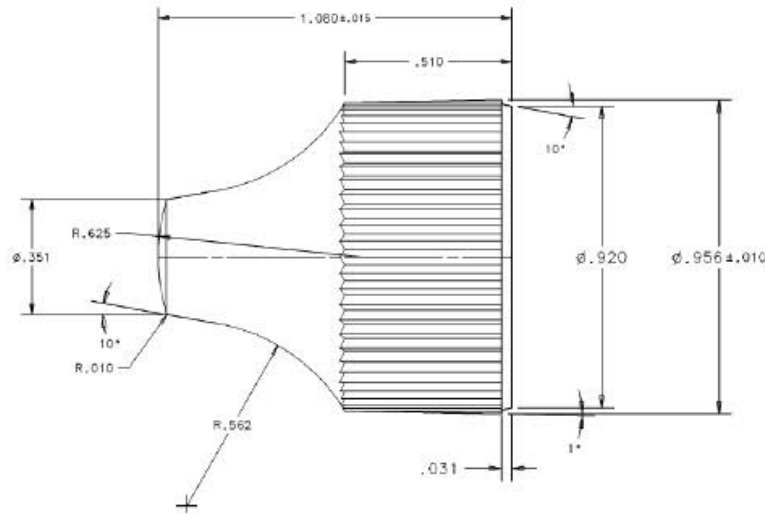


SERRATION DETAIL
60 EQUALLY SPACED
SCALE: 20x1



THREAD DETAIL
8 T.P.I.
SCALE: 10x1



- NOTES:**
- 1) TOLERANCES APPLY TO THE AVERAGE OF TWO MEASUREMENTS TAKEN 90° APART ON DIAMETERS.
 - 2) ALL DIMENSIONS APPLY AS MOLDED
 - 3) ESTIMATED WEIGHT: 2.54 GRAMS
 - 4) REFERENCE #15025

DISCLAIMER

THIS INFORMATION IS PROVIDED AS A GENERAL GUIDE, INCLUDING DIMENSIONS. IT IS THE CUSTOMER'S RESPONSIBILITIES TO SELECT THE PROPER CONTAINER FOR PRODUCT AND APPLICATION COMPATIBILITY.

DISTRIBUTED BY:



REF NO.:

DESCRIPTION: