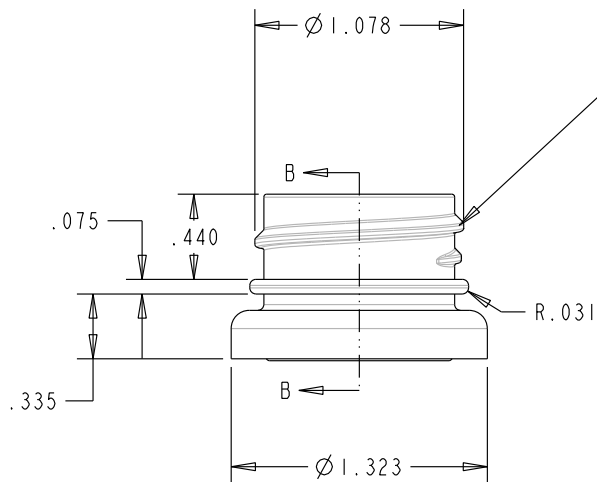
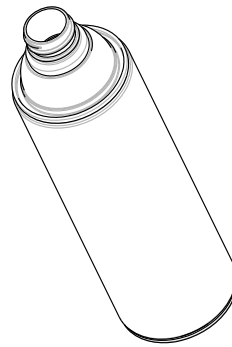


SCALE 0.375

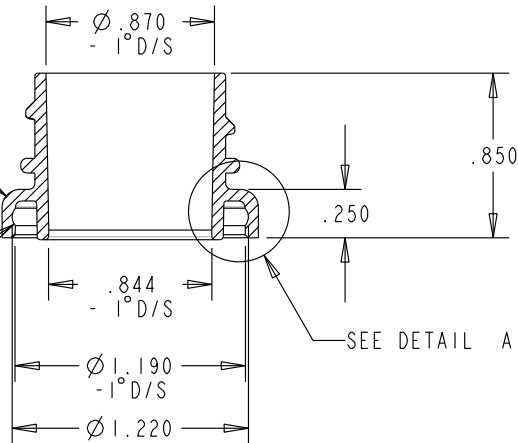
SECTION A-A
SCALE 2.000
CAN SHOWN ASSEMBLED



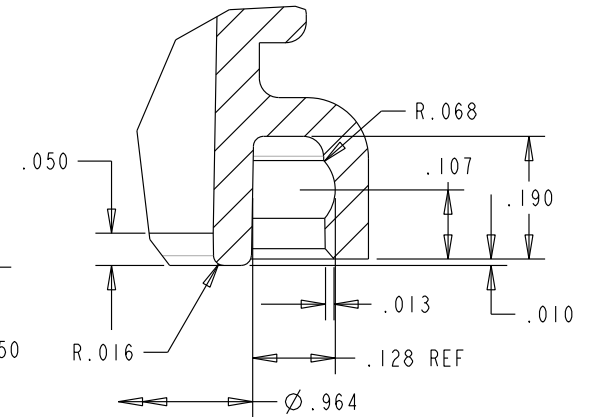
SEE NOTE 14

R.094

R.068



SECTION B-B



DETAIL A
SCALE 5.000

DISCLAIMER

THIS INFORMATION IS PROVIDED AS A GENERAL GUIDE, INCLUDING DIMENSIONS. IT IS THE CUSTOMER'S RESPONSIBILITIES TO SELECT THE PROPER CONTAINER FOR PRODUCT AND APPLICATION COMPATIBILITY.

DISTRIBUTED BY:



REF NO.:

DWG30850

DESCRIPTION:

28 mm Black Snap On Thread Coupling For Trigger Sprayer