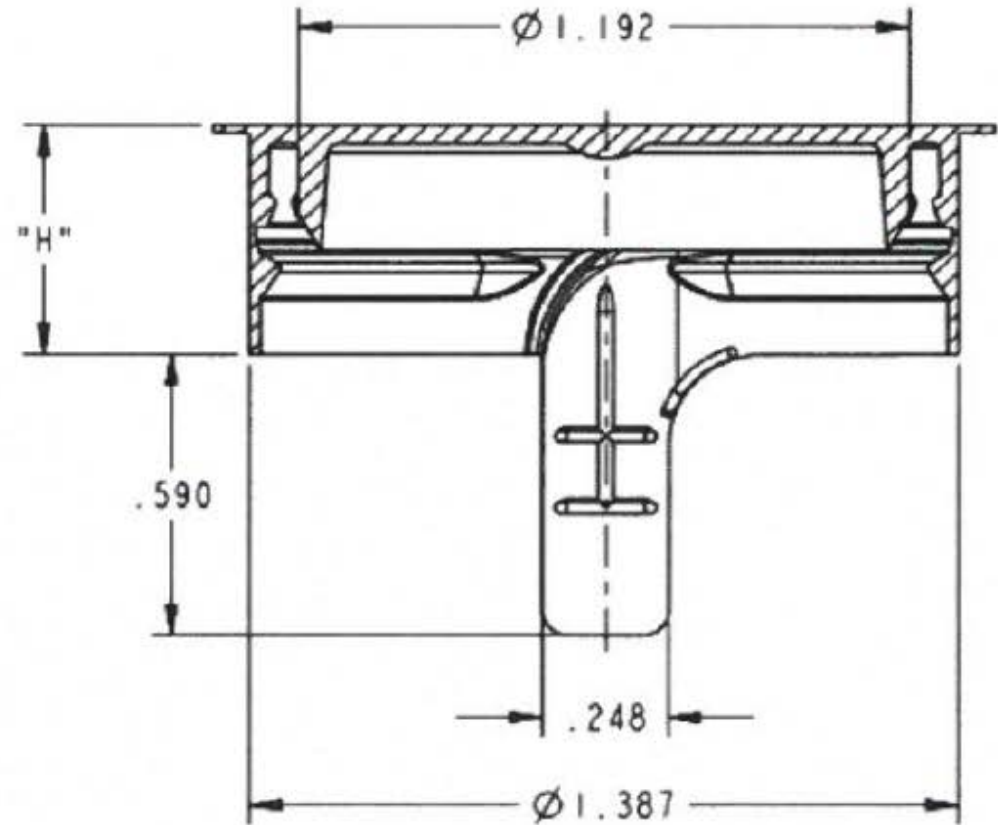


**Customer Drawing: 609-003C00**  
**Bottle HDPE Pull: N382122**  
**Bottle HDPE Spin Trim: N382322**  
**Bottle PET: N382011**  
**Bottle Ram: N382034**

**NOTE: STT Closure is also compatible with  
Silgan 'SCJ' Neck Finish as follows:**  
**Bottle Pull-Up: N383122**  
**Bottle Spin Trim: N383123**  
**Bottle PET: N383011**



**DISCLAIMER**

THIS INFORMATION IS PROVIDED AS A GENERAL GUIDE, INCLUDING DIMENSIONS. IT IS THE CUSTOMER'S RESPONSIBILITIES TO SELECT THE PROPER CONTAINER FOR PRODUCT AND APPLICATION COMPATIBILITY.

DISTRIBUTED BY:



REF NO.:

DESCRIPTION: