

Dimensions drawing 991-03095*0 (mm)

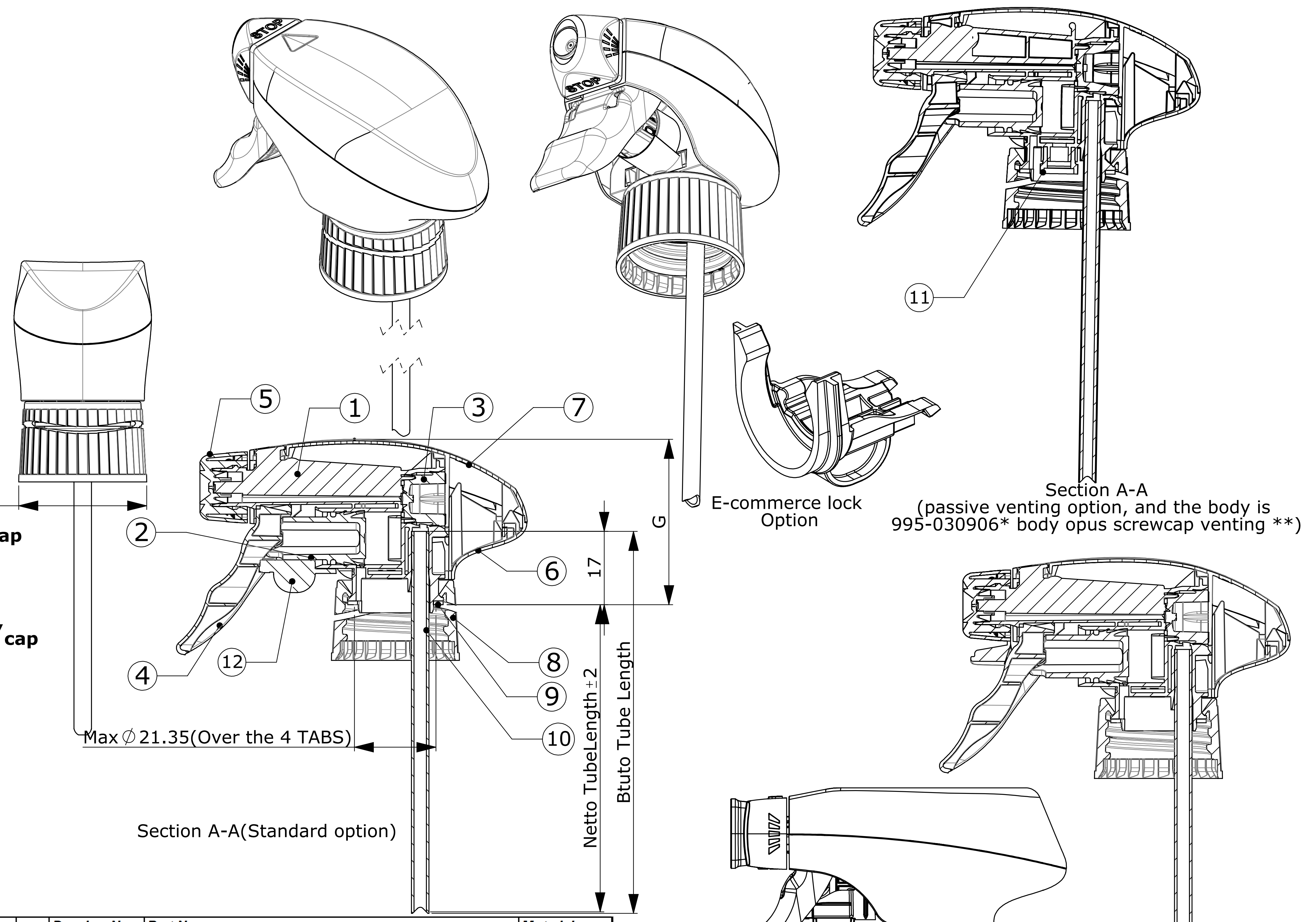
Opus Screw cap			
Type	Size E	Size F	Size G
1 Shroud A	56.40	73.50	43.28
2 Shroud D	55.80	72.90	42.68
Size C	Shape A	Shape D	
1 28-410 cap	56.80	56.20	
2 28-400 cap	52.80	52.20	
3 Lock cap	57.80	57.20	

Dimensions drawing 991-03095*0 (mm)

Opus Screw cap			
Type	Size A	Size B	
1 OpUs SO/SOS	36.00	85.70	
2 OpUs FO vi	36.00	89.70	
3 OpUs FO nv	36.00	90.10	
4 OpUs FO vm	36.00	88.65	
5 OpUs FAN Spray	36.00	86.45	
6 OpUs 4" FAN Spray	36.00	86.45	
7 OpUs SOF	36.00	88.35	
8 OpUs Fan Foam	36.00	87.91	

Trigger of this option is 991-0309148 Trigger OpUs Long

(For Screwcap 28-400, 28-410, and din cap D=Ø30.9 For Lockcap, and Ratchet cap D=Ø33.1)



Pos.	Drawing No.	Part Name	Material
1	A 995-0309021/	Body OpUs Screwcap Narrow Angle	P.P
	B 995-0309022/	Body OpUs Screwcap Wide Angle	P.P.
	C 995-0309023/	Body OpUs Screwcap Spray NA-off-Stream	P.P.
	D 995-030906*/	Body OpUs Screwcap Venting	P.P.
	E 995-0309024/	Body OpUs Srew Cap Fan Sprayer	P.P.
2	A 210-1003000/	Piston LF OpAd	P.E.
	B 995-0309120/	Piston OpUs High Output	P.E.
	995-0309130/	Dome Valve OpUs	P.E.
4	A 995-0309144/	Trigger OpUs shape C	P.P.
	B 991-0309148/	Trigger OpUs Long	P.P.
5	A 210-1005000/	Nozzle OpAd Spray - Off	P.P.
	B 210-1010000/	Nozzle OpAd FO Venting and Nozzle OpAd FO Venting CR	P.P.
	C 995-0309150/	Nozzle Opus Foam-off non Venting	P.P.
	D 991-0801001/	Nozzle OpAd Foam-off with Screen	P.P.
	E 210-1009000/	Nozzle OpAd Spray-Off-foam	P.P.
	F 991-1110001/	4" Fan Spray Nozzle	P.P
	G 991-0910001/	Fan Spray Nozzle(10")	P.P
	H 210-1012000/	OpAd Spray-Off-Foam	P.P
	I 991-1300002/	Fan Foam Spray Nozzle	P.P.
6	995-0309164/	Lower Shroud OpUs Screwcap	P.P.
7	A 995-0309172/	Upper Shroud OpUs Shape A	P.P.
	B 991-0309177/	Upper Shroud OpUs Shape D	P.P.
8	A 995-0309181/	Screwcap 28-410 OpUs	P.P.
	B 991-0309182/	Screwcap 28-400 OpUs	P.P.
	C 991-0309183/	Screwcap Din OpUs	P.P.
	D 991-0309184/	Lockcap OpUs	P.P.
	E 991-0309185/	Ratchet Cap OpUs	P.P.
9	991-0309210/	Gasket OpUs	Tri-Seal
10	991-0309202/	Diptube OpUs High Vicosity	P.P
	991-0309203/	Diptube Opus Soft Tube	LDPE
11	D10SF0/	Gore Packaging Vents	P.P
12	991-0309188/	E-commerce Lock	P.P

Trigger of this option is 991-0309177 Upper Shroud Shape D 991-1300002 Fan Foam Spray Nozzle

NOT SPECIFIED TOLERANCE : ± 0.5 DIMENS. ± 1° ANGLE

DISCLAIMER
THIS INFORMATION IS PROVIDED AS A GENERAL GUIDE, INCLUDING DIMENSIONS. IT IS THE CUSTOMER'S RESPONSIBILITIES TO SELECT THE PROPER CONTAINER FOR PRODUCT AND APPLICATION COMPATIBILITY.

DISTRIBUTED BY: REF NO.: DWG31392
DESCRIPTION: 28 mm White Opus Advanced Ratchet Sprayer w/ 9.25" Dip Tube