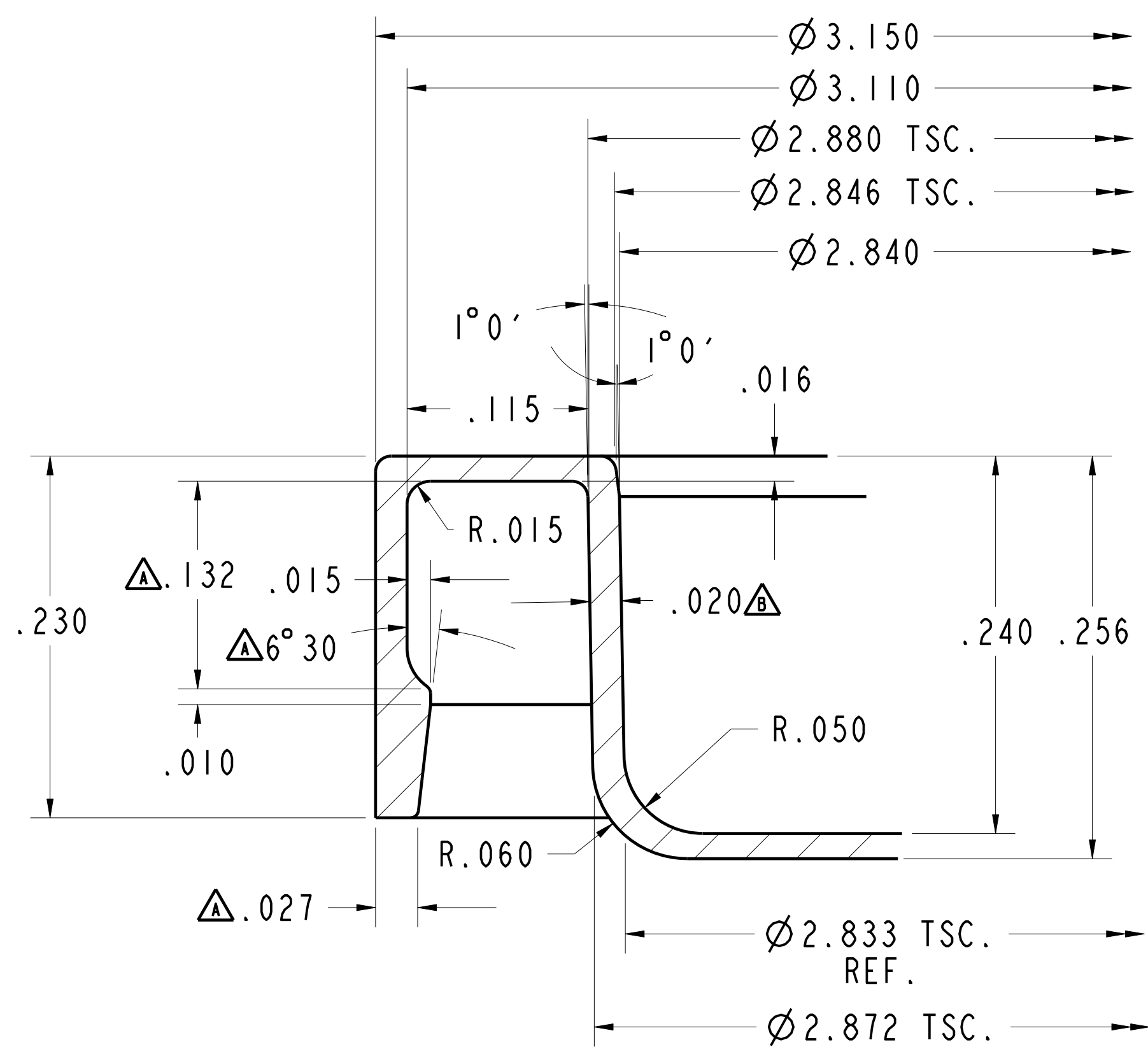
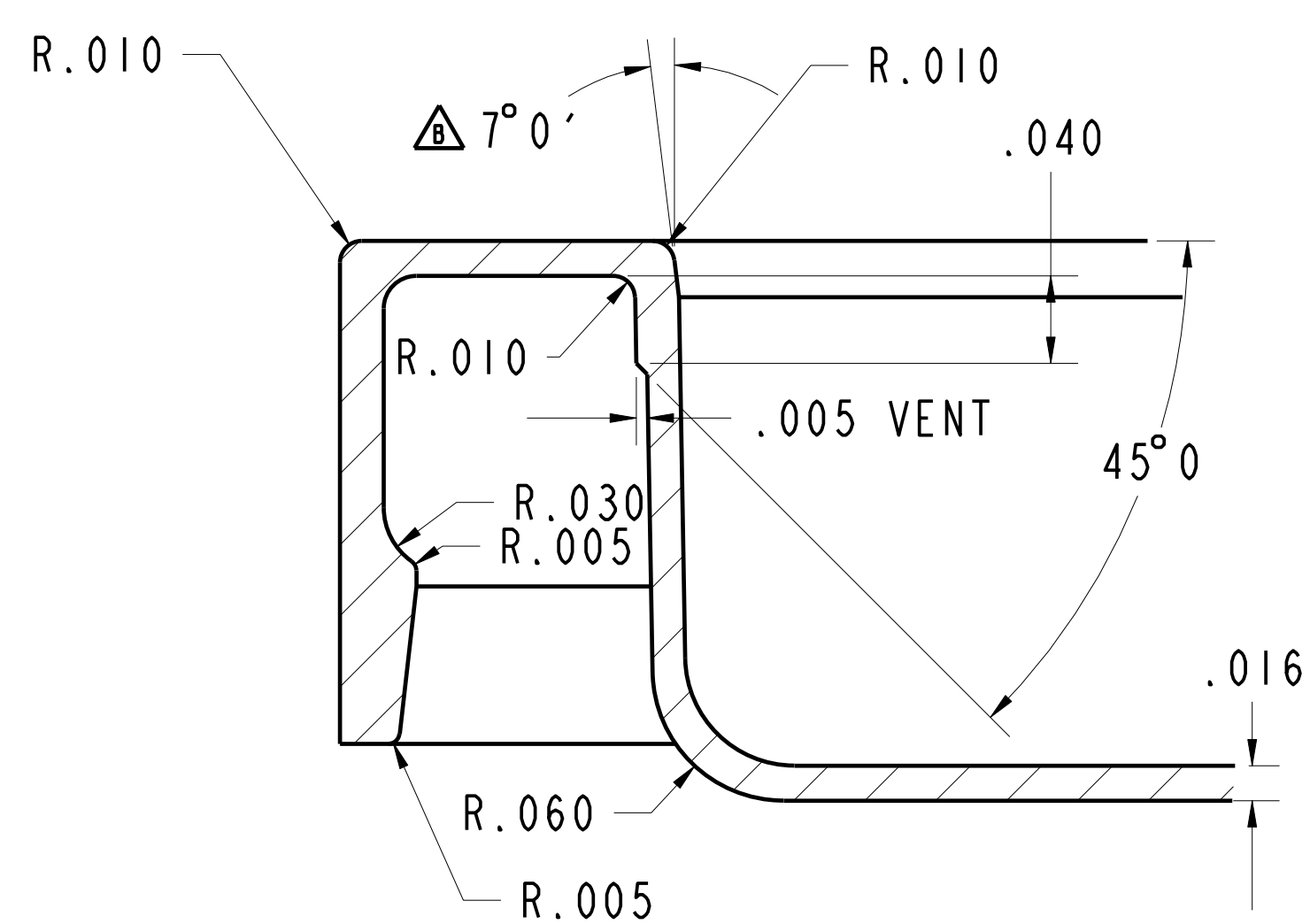


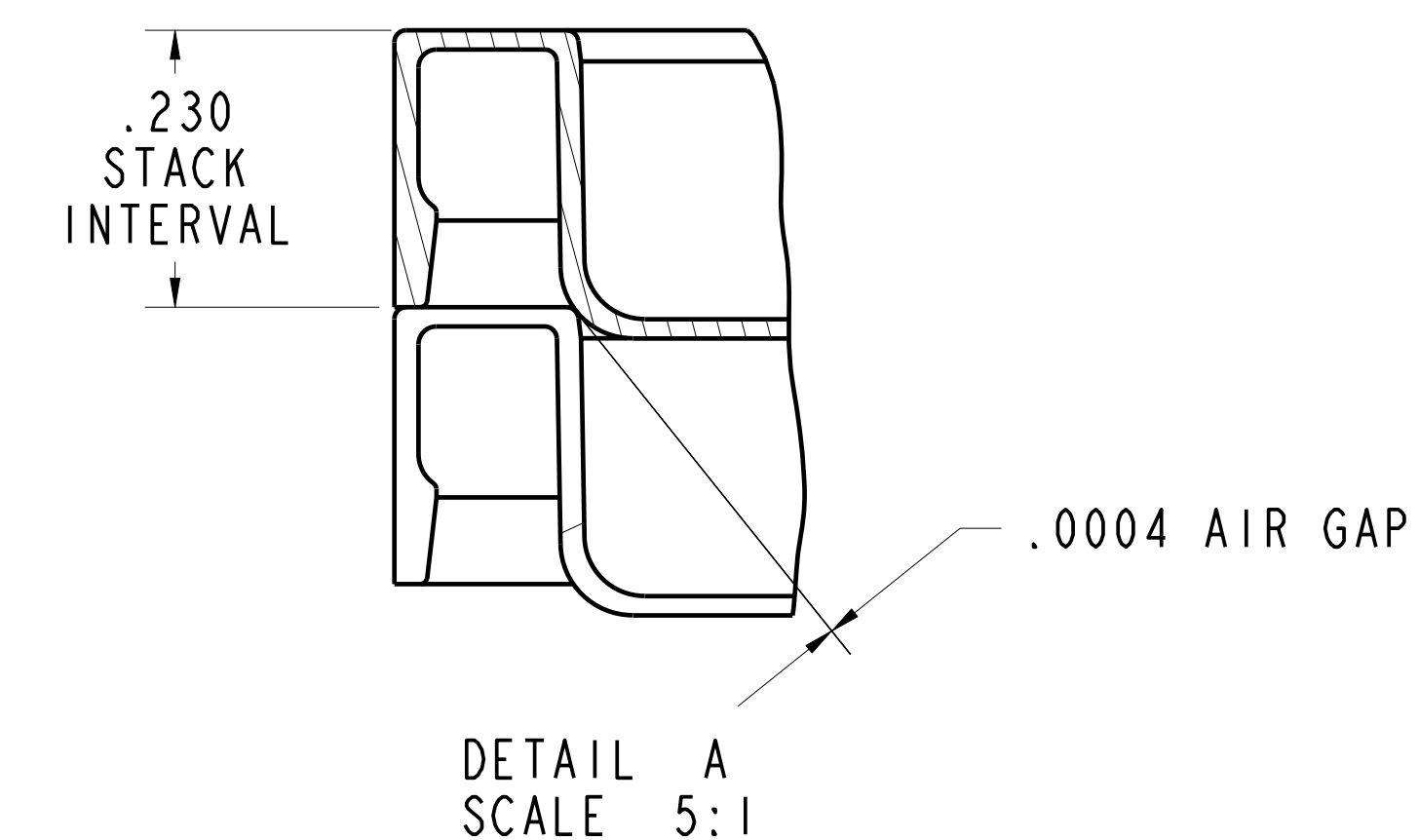
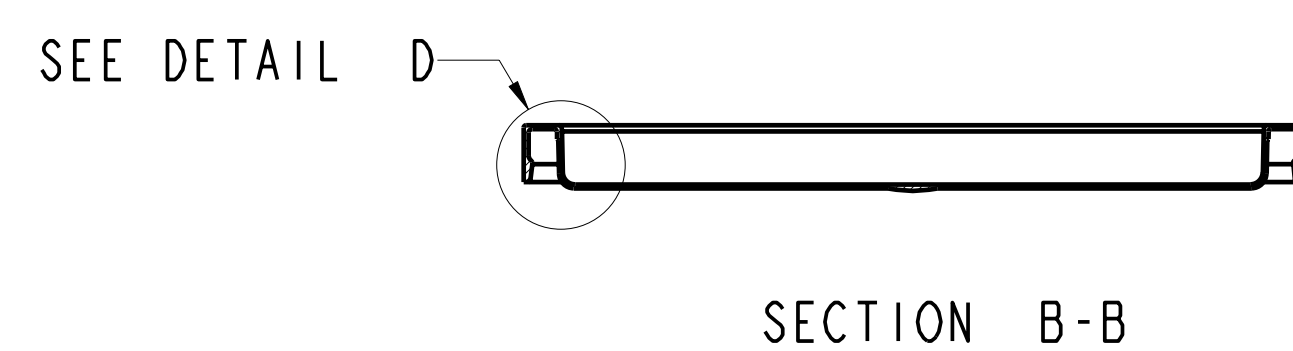
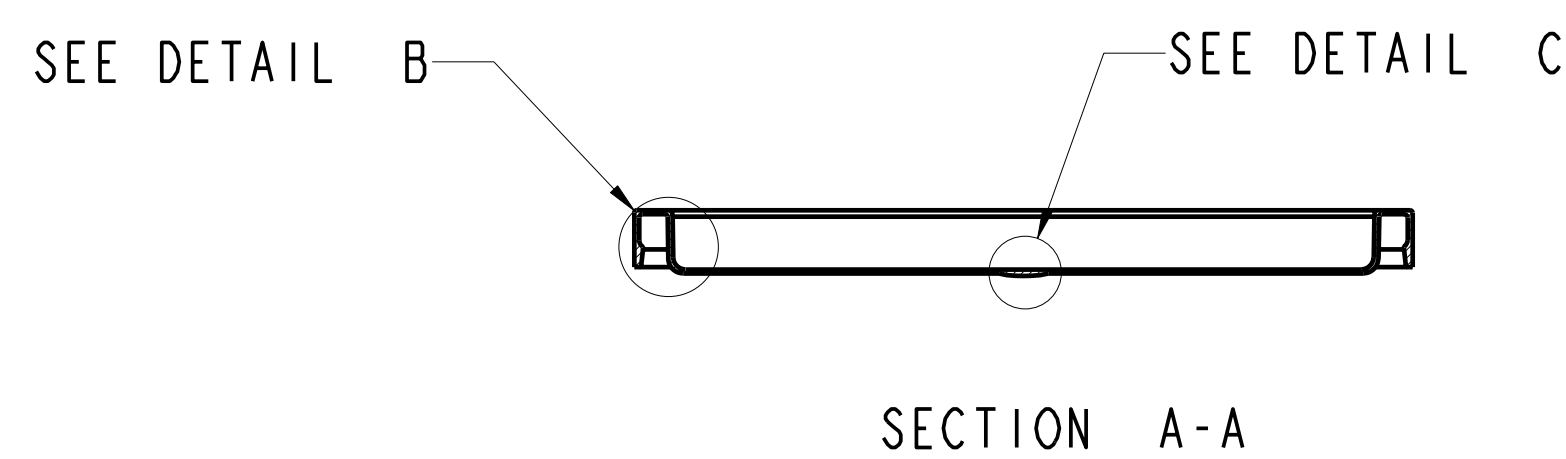
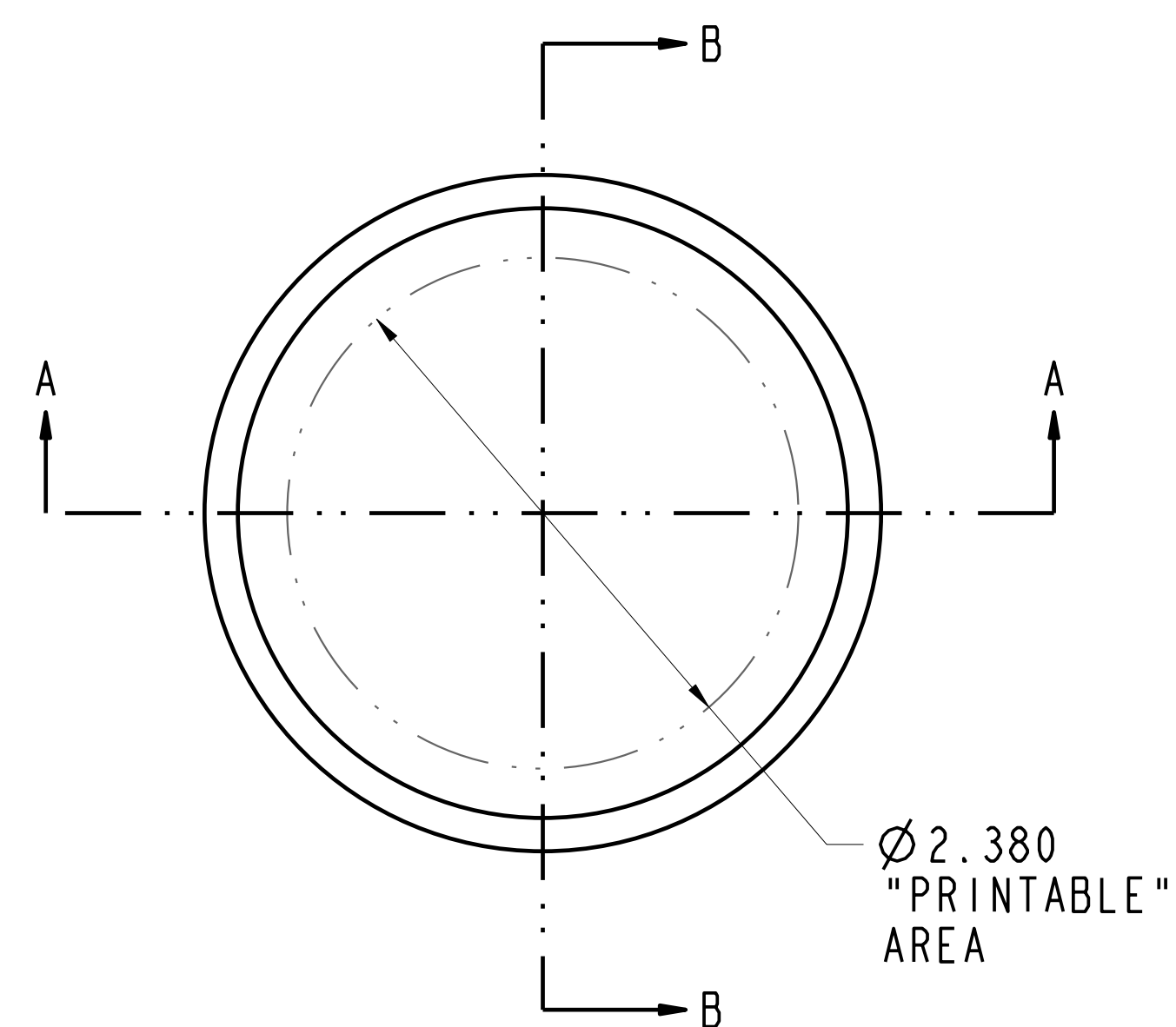
DETAIL C
SCALE 10:1



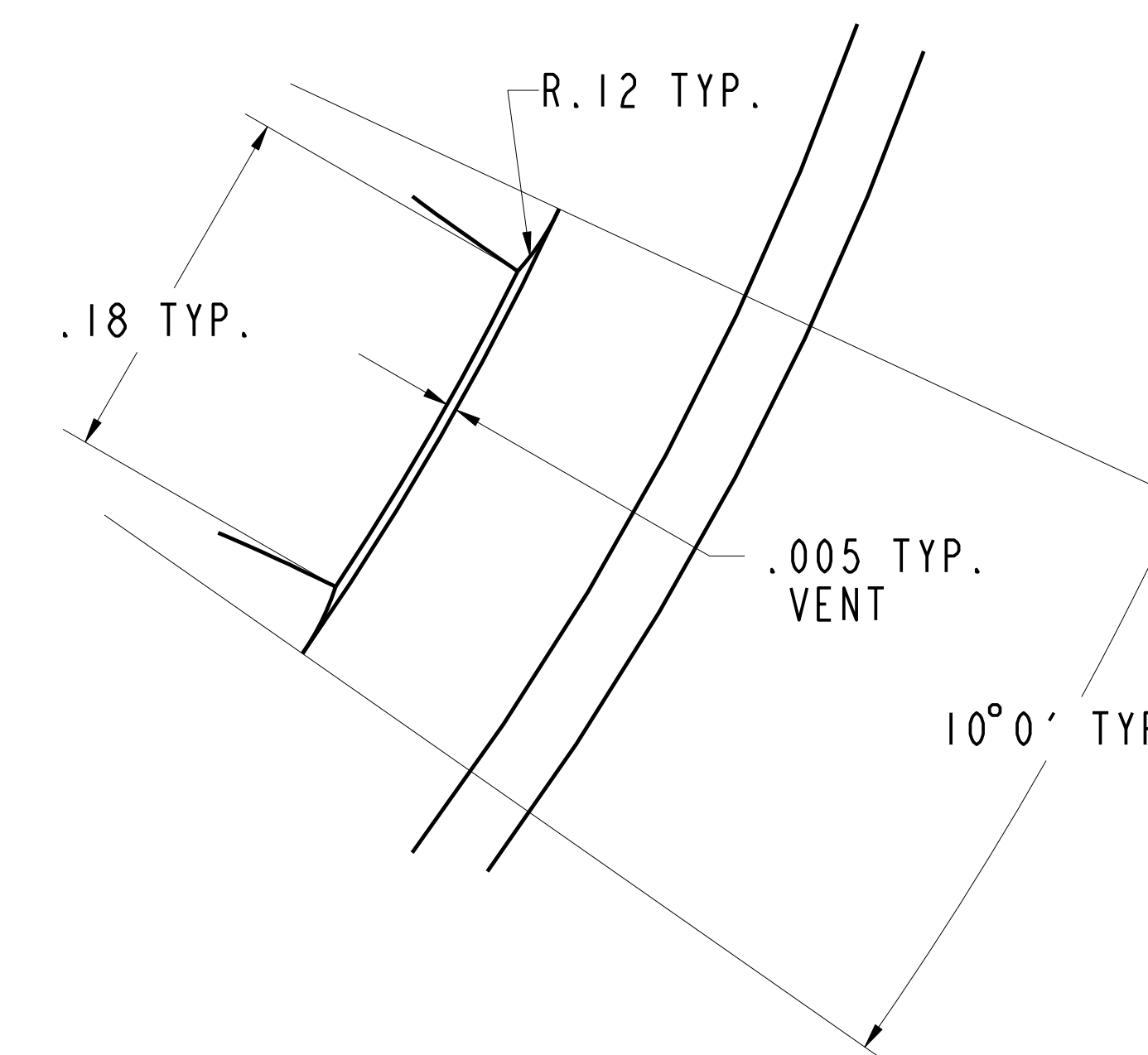
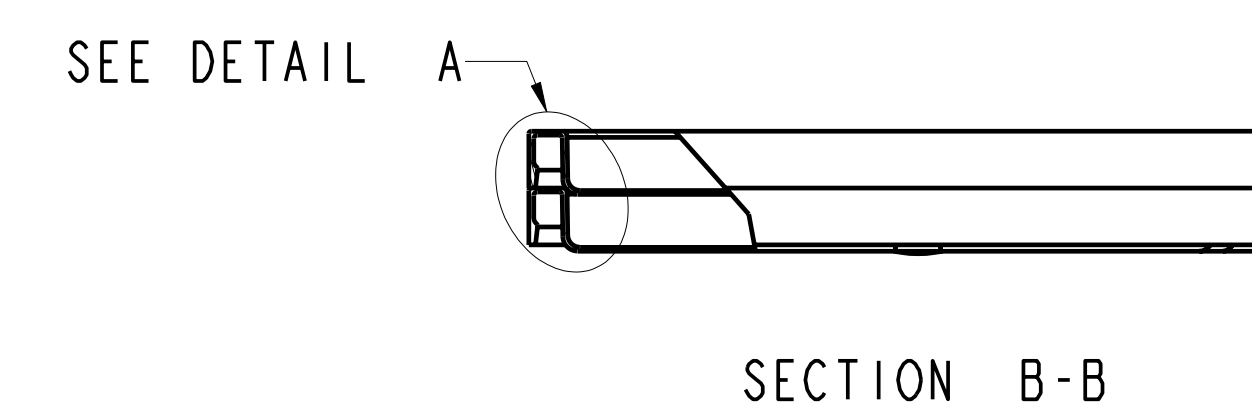
DETAIL B
SCALE 10:1



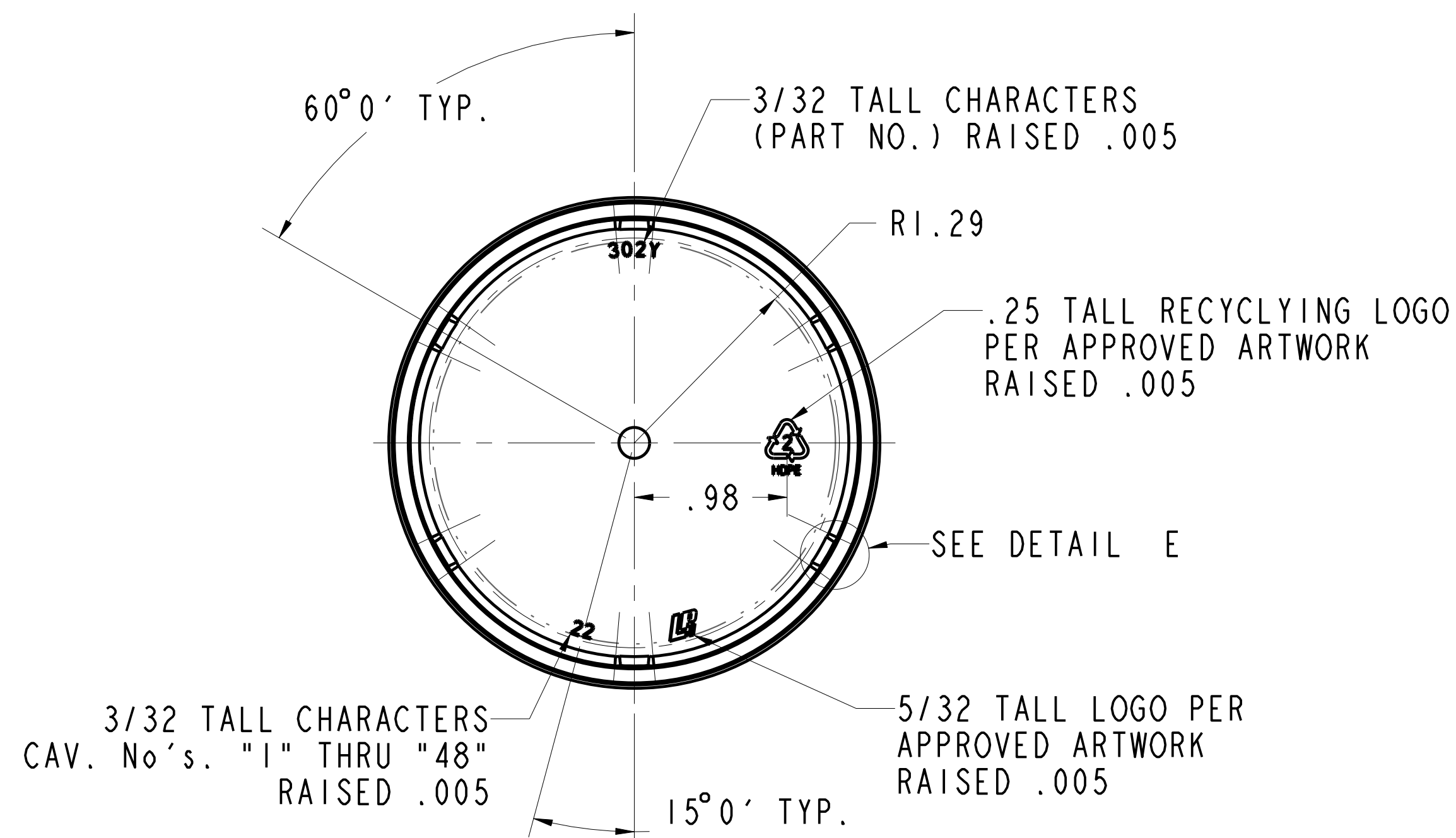
DETAIL D
SCALE 10:1



DETAIL A
SCALE 5:1



DETAIL E
SCALE 10:1



MATERIAL: L.L.D.P.E
PART WEIGHT: 3.3
L/T: 116

DISCLAIMER

THIS INFORMATION IS PROVIDED AS A GENERAL GUIDE, INCLUDING DIMENSIONS. IT IS THE CUSTOMER'S RESPONSIBILITIES TO SELECT THE PROPER CONTAINER FOR PRODUCT AND APPLICATION COMPATIBILITY.

DISTRIBUTED BY:



REF NO.:

DWG30889

DESCRIPTION:

6 oz Red LLDPE Recessed Cover