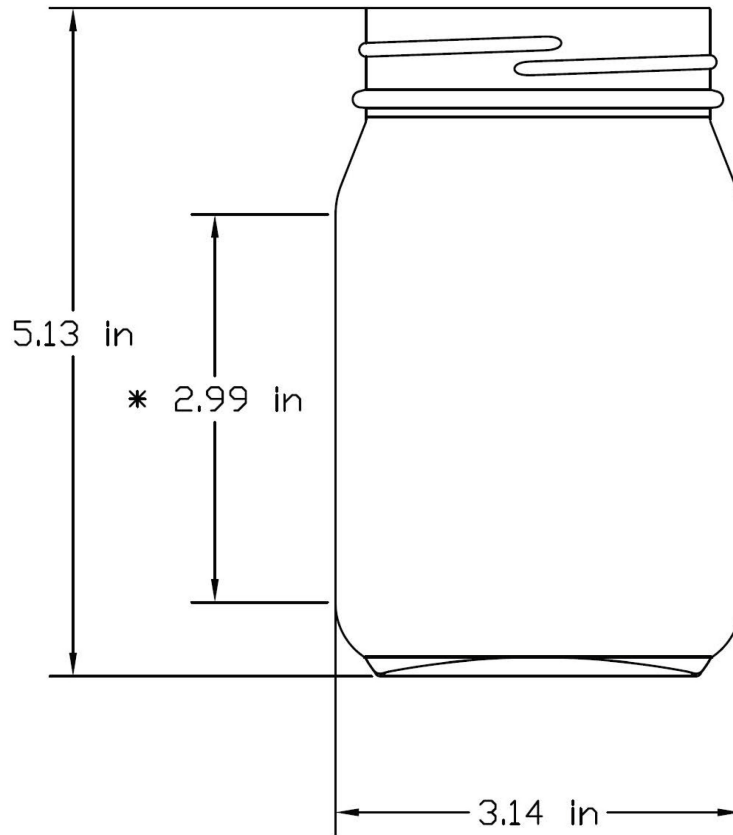


Finish: 70-450
Height: 5.13 in
Diameter: 3.14 in
Volume/Overflow: 16.60 fl. oz



DISCLAIMER

THIS INFORMATION IS PROVIDED AS A GENERAL GUIDE, INCLUDING DIMENSIONS. IT IS THE CUSTOMER'S RESPONSIBILITIES TO SELECT THE PROPER CONTAINER FOR PRODUCT AND APPLICATION COMPATIBILITY.

DISTRIBUTED BY:



DWG NO.:

DWG20029

DESCRIPTION:

16 oz Flint Mayo Jar, 70-450G