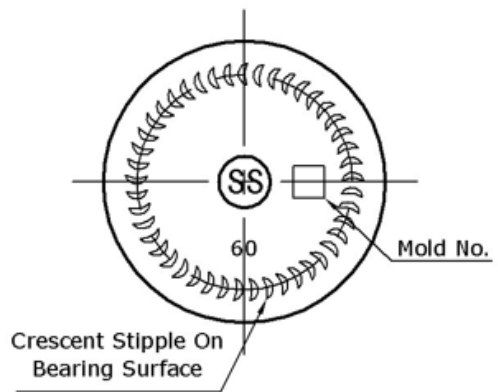
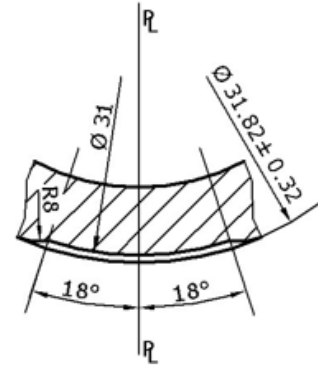


S/2:1
GPI 33mm-400



Crescent Stipple On Bearing Surface



Thread's Detail on Parting Line (S=3:1)

Nominal Capacity	60ml
O. F. Capacity	69 ± 3ml
Weight	73 ± 7.5g

DISCLAIMER

THIS INFORMATION IS PROVIDED AS A GENERAL GUIDE, INCLUDING DIMENSIONS. IT IS THE CUSTOMER'S RESPONSIBILITIES TO SELECT THE PROPER CONTAINER FOR PRODUCT AND APPLICATION COMPATIBILITY.

DISTRIBUTED BY:



REF NO.:

DWG30929

DESCRIPTION:

60 cc Amber Packer, 33-400