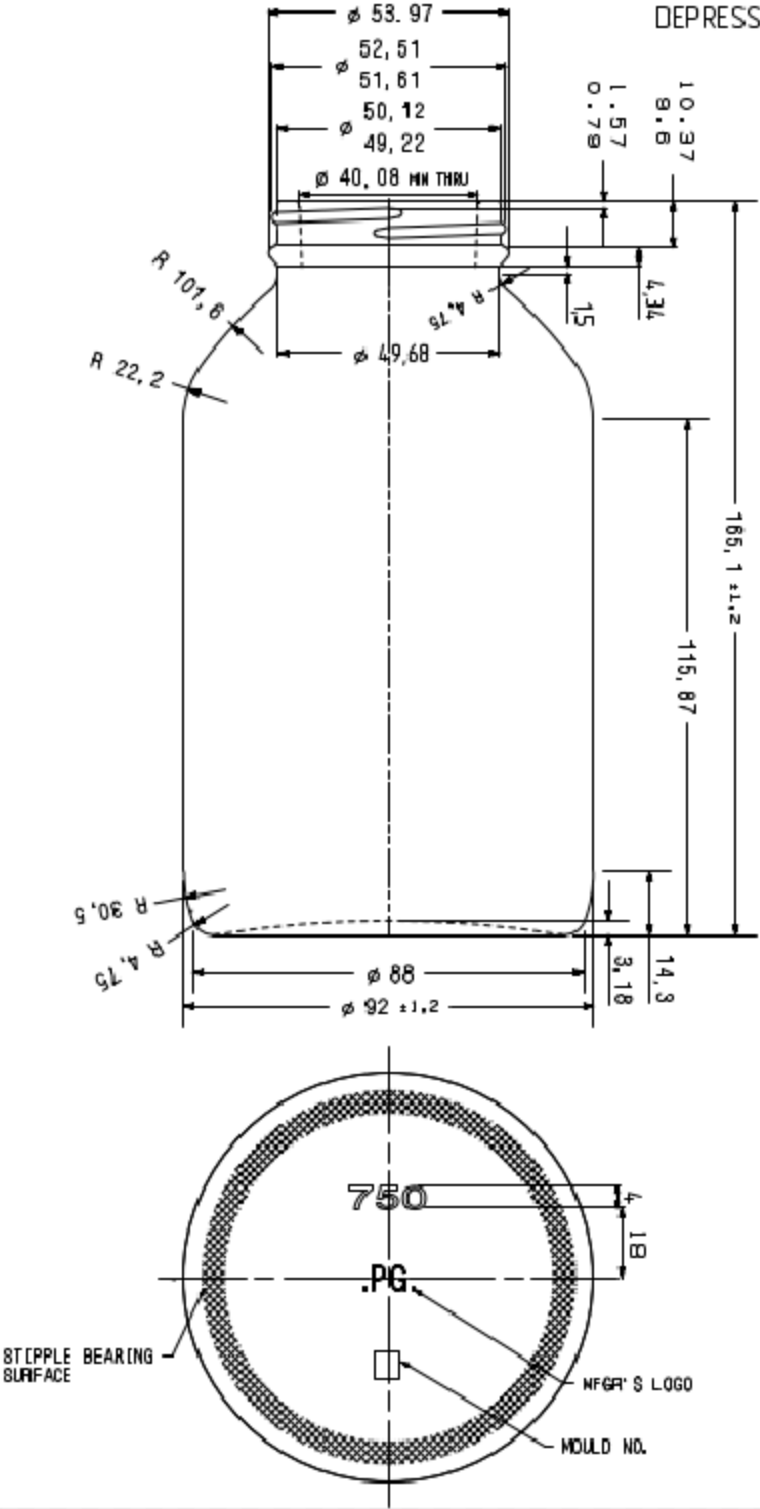


DEPRESSED THREAD AT SEAMS



OVERFLOW CAPACITY (ml)	FILLING CAP.(ml)	WEIGHT (gm)
803.2 ± 9.2	---	351 ± (APPX) <sup>1</sup>

DISTRIBUTED BY: 	REF NO.: DWG30931
--	----------------------

DESCRIPTION:  
750 cc Amber Packer, 53 mm

DISCLAIMER

THIS INFORMATION IS PROVIDED AS A GENERAL GUIDE, INCLUDING DIMENSIONS. IT IS THE CUSTOMER'S RESPONSIBILITIES TO SELECT THE PROPER CONTAINER FOR PRODUCT AND APPLICATION COMPATIBILITY.