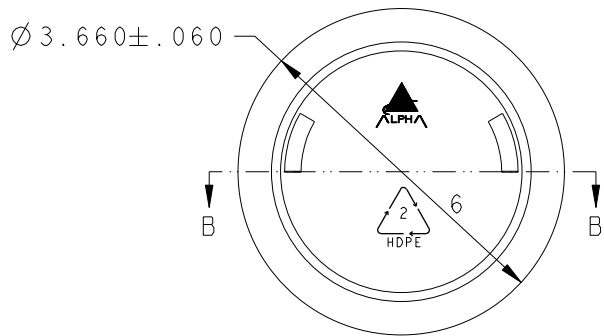
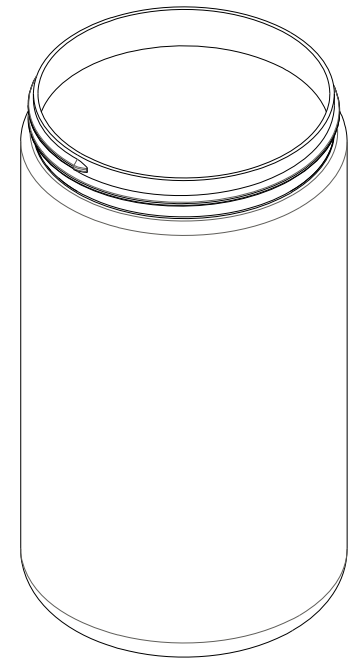
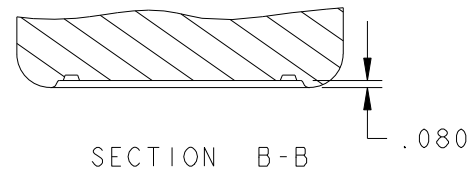


DETAIL A
SCALE 1/1



Neck Dimensions:	
T	3.493±.018
E	3.373±.018
H	.535±.015
I	2.918 MIN
S	.060±.015

Overflow Capacity: 1040 ml ± 15

DISCLAIMER

THIS INFORMATION IS PROVIDED AS A GENERAL GUIDE, INCLUDING DIMENSIONS. IT IS THE CUSTOMER'S RESPONSIBILITIES TO SELECT THE PROPER CONTAINER FOR PRODUCT AND APPLICATION COMPATIBILITY.

DISTRIBUTED BY:



REF NO.:

DWG30970

DESCRIPTION:

32 oz White HDPE Wide Mouth Jar, 89-400, 56 Grams