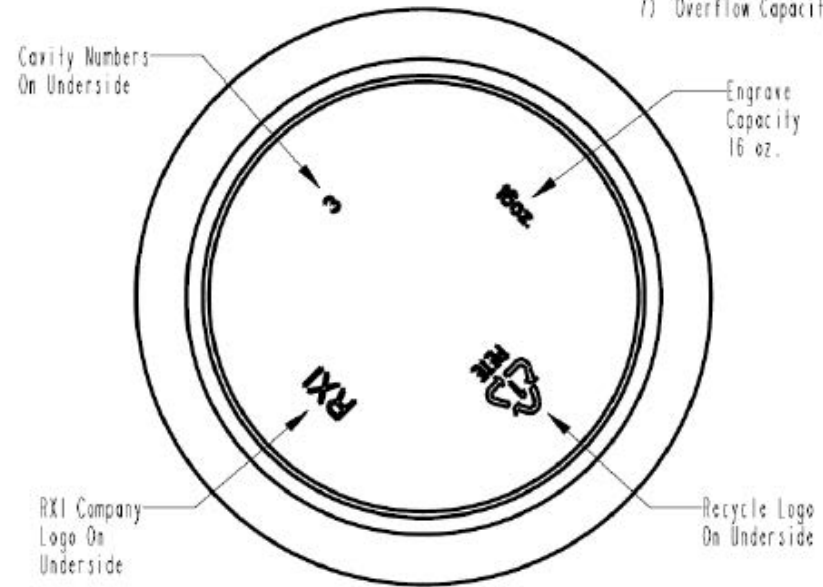


NOTES:

- 1) All diameters are an average of 2 measurements, which are 90° apart.
- 2) Material: PETE
- 3) Part Weight = 33 ± 1.65 grams
- 4) Thread Data: 63-485
Thread Finish: 6 T.P.L., 1/4 Full Turn of Thread Wrap
- 5) Weight and capacity based on a .025" nominal wall section below base of neck finish.
- 6) MIN. WALL: .009"
- 7) Overflow Capacity: 469 +/- 11 cc



DISCLAIMER

THIS INFORMATION IS PROVIDED AS A GENERAL GUIDE, INCLUDING DIMENSIONS. IT IS THE CUSTOMER'S RESPONSIBILITIES TO SELECT THE PROPER CONTAINER FOR PRODUCT AND APPLICATION COMPATIBILITY.

DISTRIBUTED BY:



REF NO.:

DESCRIPTION: