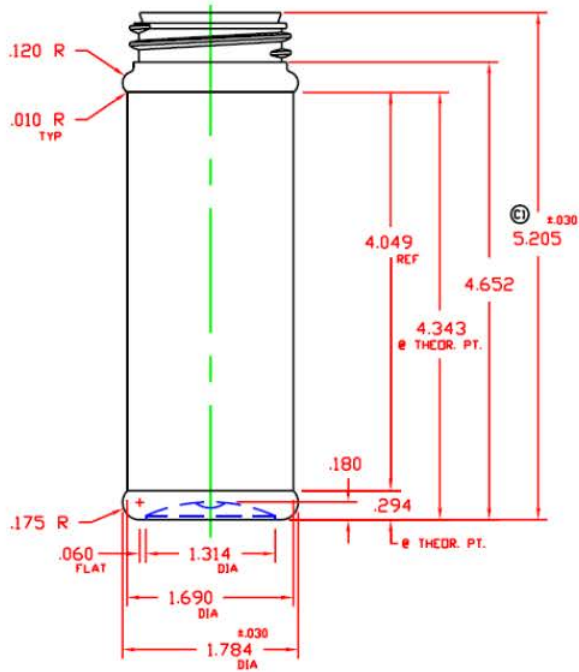
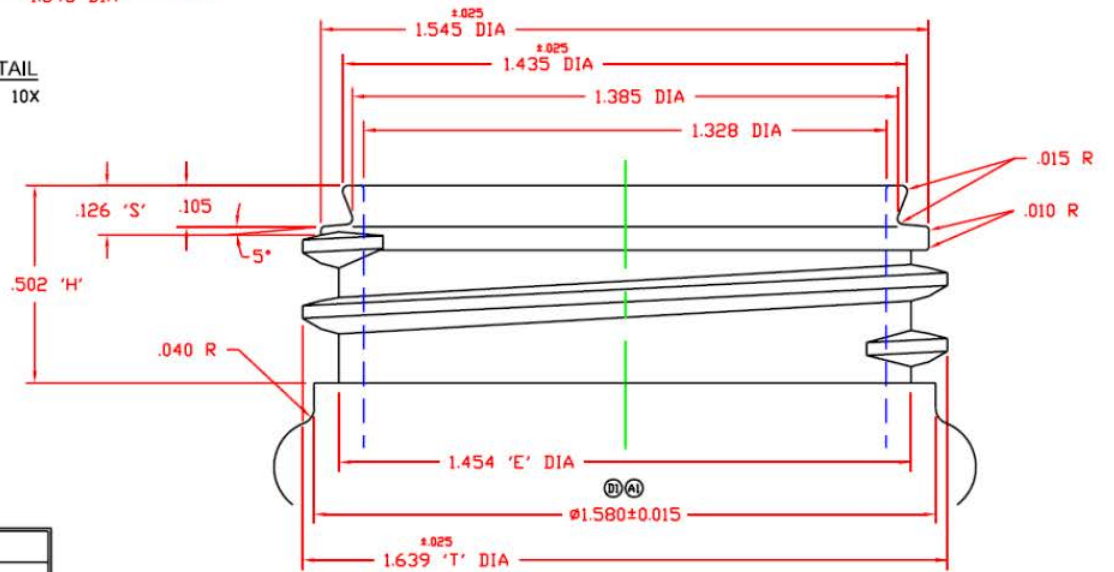


THREAD DETAIL
SCALE 10X



FINISH DATA	
43-485 FINISH	
T DIA =	1.639
E DIA =	1.454
T.P.I. =	6
HELIX ANGLE =	1.96°
CUTTER DIA =	.500
THREAD STYLE=	SPECIAL
URNS OF THREAD =	1.5



FINISH DETAIL
SCALE 4X

18.5 ± .5	PET	168.3 ± 6 ML -	5.69 ± .20 FL OZ
GRAMS	MAT'L	OVERFLOW CAPACITY	

DISCLAIMER

THIS INFORMATION IS PROVIDED AS A GENERAL GUIDE, INCLUDING DIMENSIONS. IT IS THE CUSTOMER'S RESPONSIBILITIES TO SELECT THE PROPER CONTAINER FOR PRODUCT AND APPLICATION COMPATIBILITY.

DISTRIBUTED BY:



REF NO.:

DESCRIPTION: