

Picture(s) of Drum




Place "9200" label on side near bottom and UN mark

Raw Materials

Resin	L99 / 80100001 HMWPE Resin	Color# (wt%)	L84G / 80200012 (.4%)
Specific Resin(s)	N/A	Color Description	EURO BLUE

Embossments

Regulatory	Custom
1.  1H2/Y60/S/**/ USA/M4235/ 2.2MM ** Last two digits of current year	

Specific Comments

Weight Target: 7.05
Height: 30.00-30.125
Diameter: 15.110-15.318

Lid



F14-N-FG-S / 81680057: (with gap in gasket (Combo part #)

Closing Ring



Combo part #
LP14-N-L / 81680057: (with leg)

Capseal 3/4"

N/A

Capseal 2"

N/A

Bag Part #:

Label Part # (Placement):

N/A

Stencil# (Placement):

Stencil "9200 on side near bottom and UN Mark

Pallet Part #: N/A

Pallet Arrangement: N/A

DISCLAIMER

THIS INFORMATION IS PROVIDED AS A GENERAL GUIDE, INCLUDING DIMENSIONS. IT IS THE CUSTOMER'S RESPONSIBILITIES TO SELECT THE PROPER CONTAINER FOR PRODUCT AND APPLICATION COMPATIBILITY.

DISTRIBUTED BY:

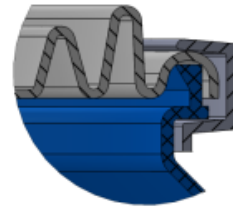
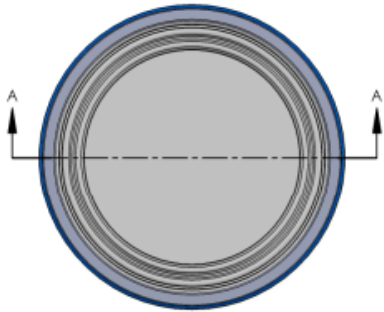


REF NO.:

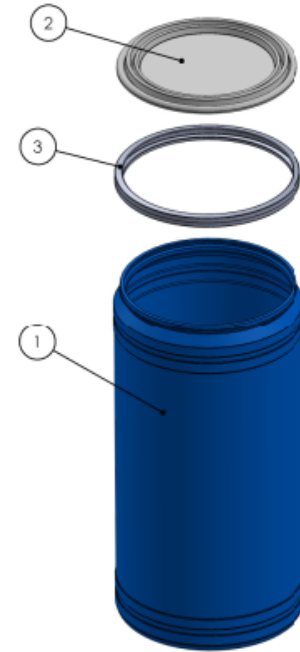
DWG30584

DESCRIPTION:

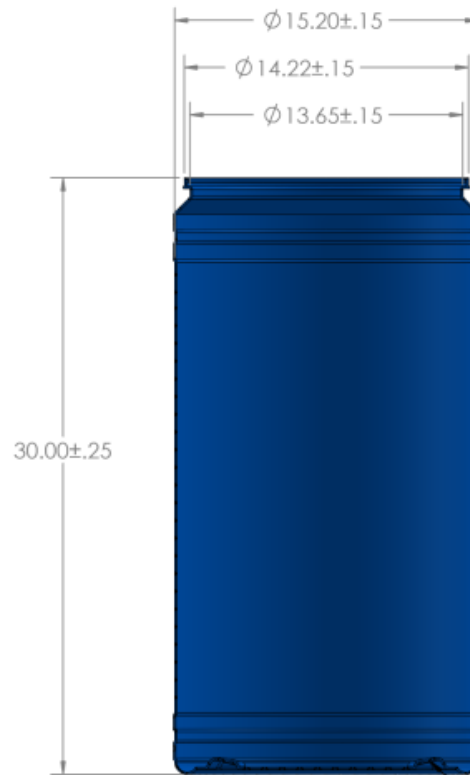
20 Gallon Blue Plastic HDPE OH Drum with Natural Cover, Plastic Level Lock Ring Rated



DETAIL B
SCALE 1 : 1



SECTION A-A
SCALE 1 : 5



SECTION C-C
SCALE 1 : 5

2 HAND HOLDS
1 ON EACH SIDE

DISCLAIMER

THIS INFORMATION IS PROVIDED AS A GENERAL GUIDE, INCLUDING DIMENSIONS. IT IS THE CUSTOMER'S RESPONSIBILITIES TO SELECT THE PROPER CONTAINER FOR PRODUCT AND APPLICATION COMPATIBILITY.

DISTRIBUTED BY:



REF NO.:

DWG30584

DESCRIPTION:

20 Gallon Blue Plastic HDPE OH Drum with Natural Cover, Plastic Level Lock Ring Rated