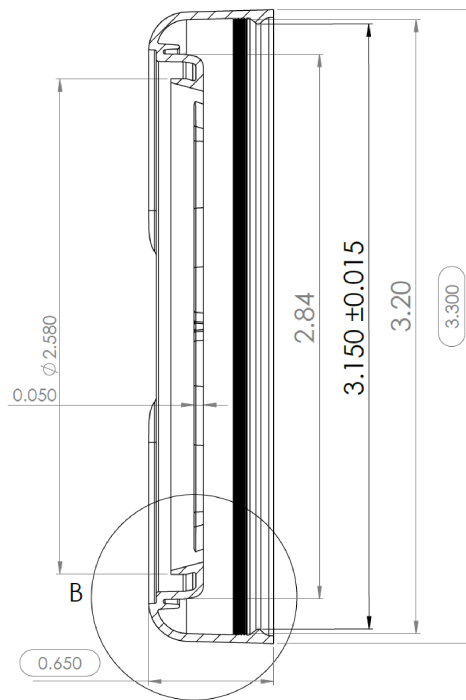
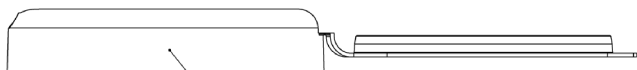
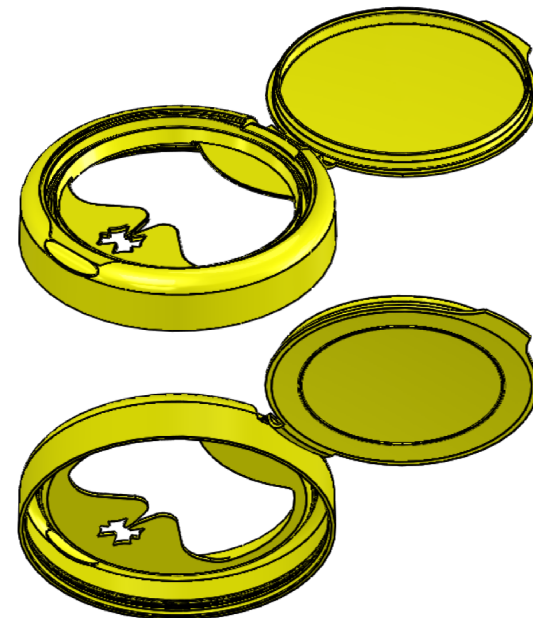


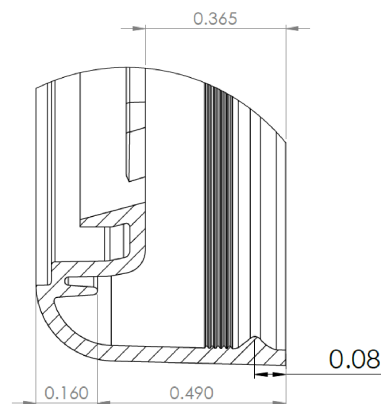
SECTION B-B
SCALE 2 : 1



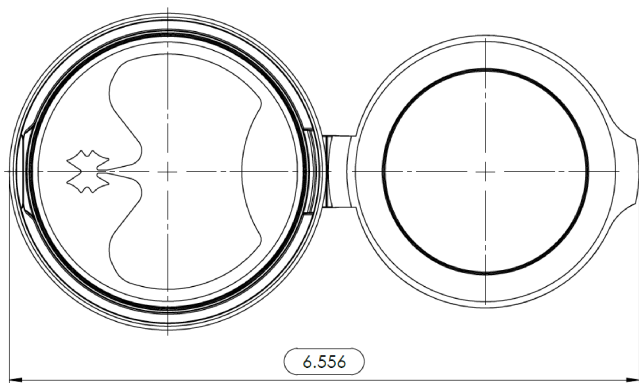
SECTION A-A
SCALE 2 : 1



TEXTURED FINISH



DETAIL B
SCALE 4 : 1



DISCLAIMER

THIS INFORMATION IS PROVIDED AS A GENERAL GUIDE, INCLUDING DIMENSIONS. IT IS THE CUSTOMER'S RESPONSIBILITIES TO SELECT THE PROPER CONTAINER FOR PRODUCT AND APPLICATION COMPATIBILITY.

DISTRIBUTED BY:



REF NO.:

DWG10355

DESCRIPTION:

89 mm PP Wipe Lid