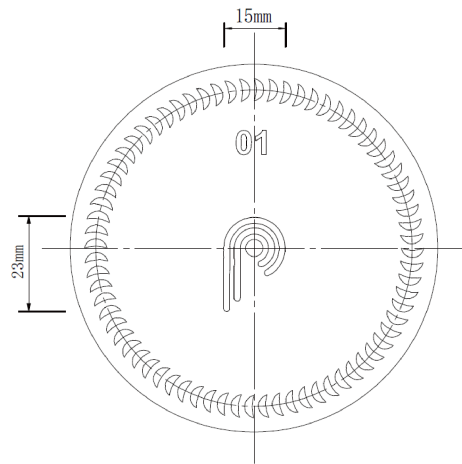


Screw thread width: 3.2
 TPI: 4
 Laps: 1-1/12 laps



NOTES

1. WEIGHT - 400 ± 15 grams
2. OVERFLOW CAPACITY - 32.63 ± 0.5 oz

DISCLAIMER

THIS INFORMATION IS PROVIDED AS A GENERAL GUIDE, INCLUDING DIMENSIONS. IT IS THE CUSTOMER'S RESPONSIBILITIES TO SELECT THE PROPER CONTAINER FOR PRODUCT AND APPLICATION COMPATIBILITY.

DISTRIBUTED BY:



REF NO.:

DWG30101

DESCRIPTION:

32 oz Mayo Jar