

Product Specifications

3.5-Gallon Round Screw-Top Pail with Screw-Top Cover, Closed Handle Version

Note: *Rated for Solids Y16/S for Packaging Group II and III (USA and Canada)

Multiple Uses

Dry Products
UN Solids rated to Y16/S

Product Codes

Container:
Description: 3.5 Gallon 85 MIL Quarter Turn Screw-Top Pail

Cover:
Description: Gasketless, Quarter Turn, Screw-Top Cover

Features

Gauge: 85 mil.
Nominal capacity: 3.5 USG / 13.25 L
Stack performance: 350lbs.*
Tare weights: Body: 1.52 lbs. / .69 kgs.
Tare weights: Cover: .66 lbs. / .30 kgs.
Note: *Ratings will be reduced with uneven load distribution.

Specifications with Cover

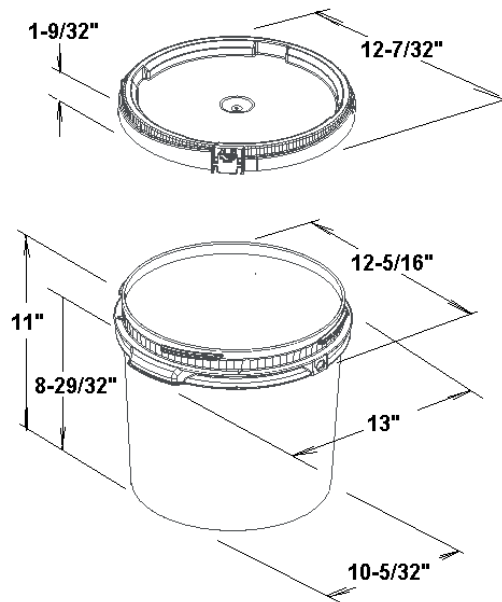
Dimensions: 12-5/16" DIA. X 11-3/32"H
Maximum capacity: 3.87 USG / 14.67 L
Tare weight: 2.18 lbs. / .99 kgs.

Colors

Standard: White, Black, Natural
Custom: Available at manufacturer's discretion

Decorating Options*

Note: *See Decoration Summary for further details.



Shipping Data

	Bodies	Covers	Filled Containers
Qty. per pallet:	228	480	48 (12 per layer / 4 layers high)
Gross Weight (lbs./kgs.):*	346.56/157.32	317.5/144	Pallet height: 47.61 "
Den. (lbs./C.F./kgs./m3):	6.6/105.56	6.44/103.15	
Length (in./cm.):	49.88/126.7	49/124.46	
Width (in./cm.):	37.56/95.6	36.75/93.35	
Height (in./cm.):	48.44/123.04	47.31/120.2	

Estimated truckload quantity of 8,200 bodies and 8,640 covers**

Notes: *Weight does not include pallet / packaging
**Truckload quantity based on 53' trailer

Materials

FDA and HPB approved materials Resin:
Body: High Density Polyethylene (HDPE)
Cover: High Density Polyethylene (HDPE)
MSDS Sheets available upon request

Optional Carrying Handle

Plastic

DISTRIBUTED BY:



REF NO.:

DWG31017

DESCRIPTION:

White HDPE Screw Top Cover for 3.5 - 6-Gallon Pails

DISCLAIMER

THIS INFORMATION IS PROVIDED AS A GENERAL GUIDE, INCLUDING DIMENSIONS. IT IS THE CUSTOMER'S RESPONSIBILITIES TO SELECT THE PROPER CONTAINER FOR PRODUCT AND APPLICATION COMPATIBILITY.