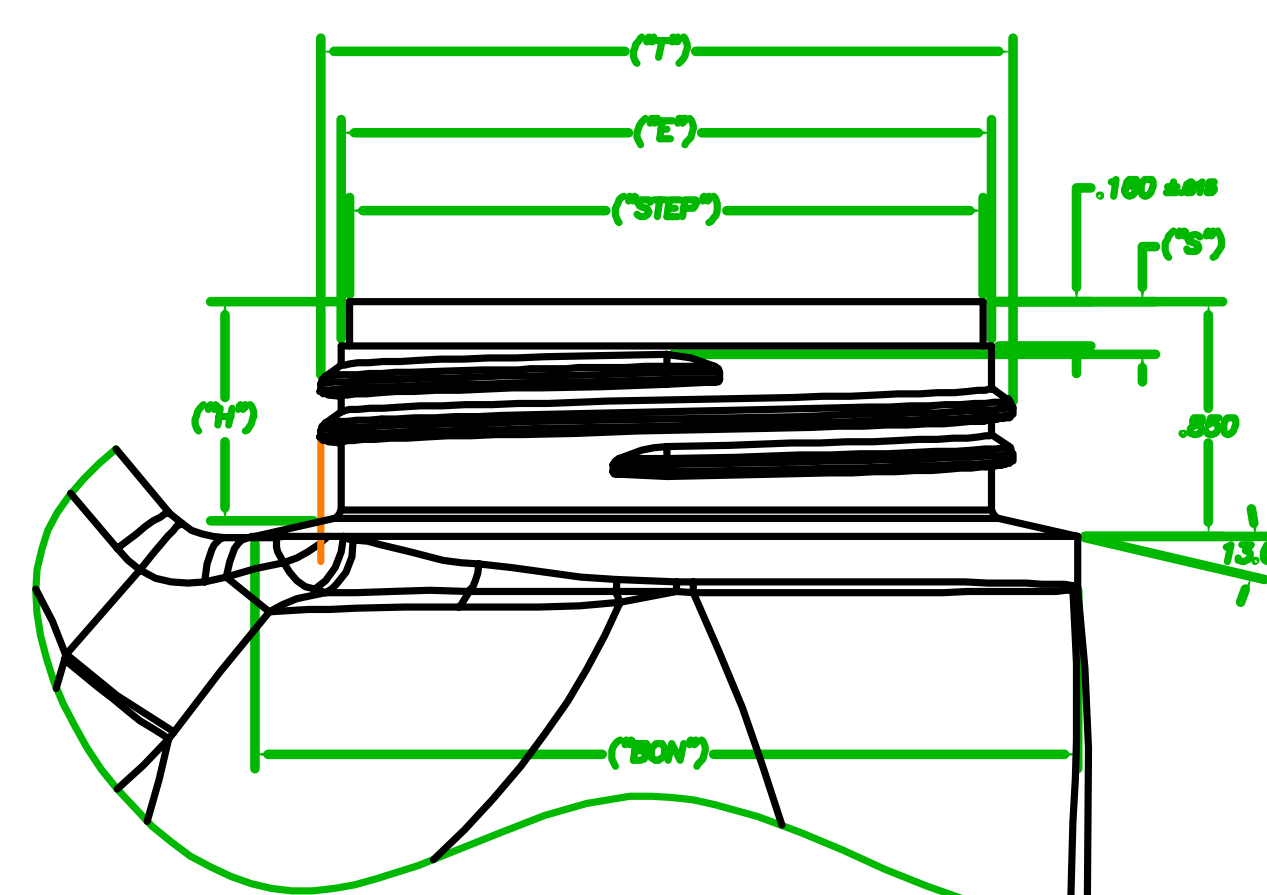
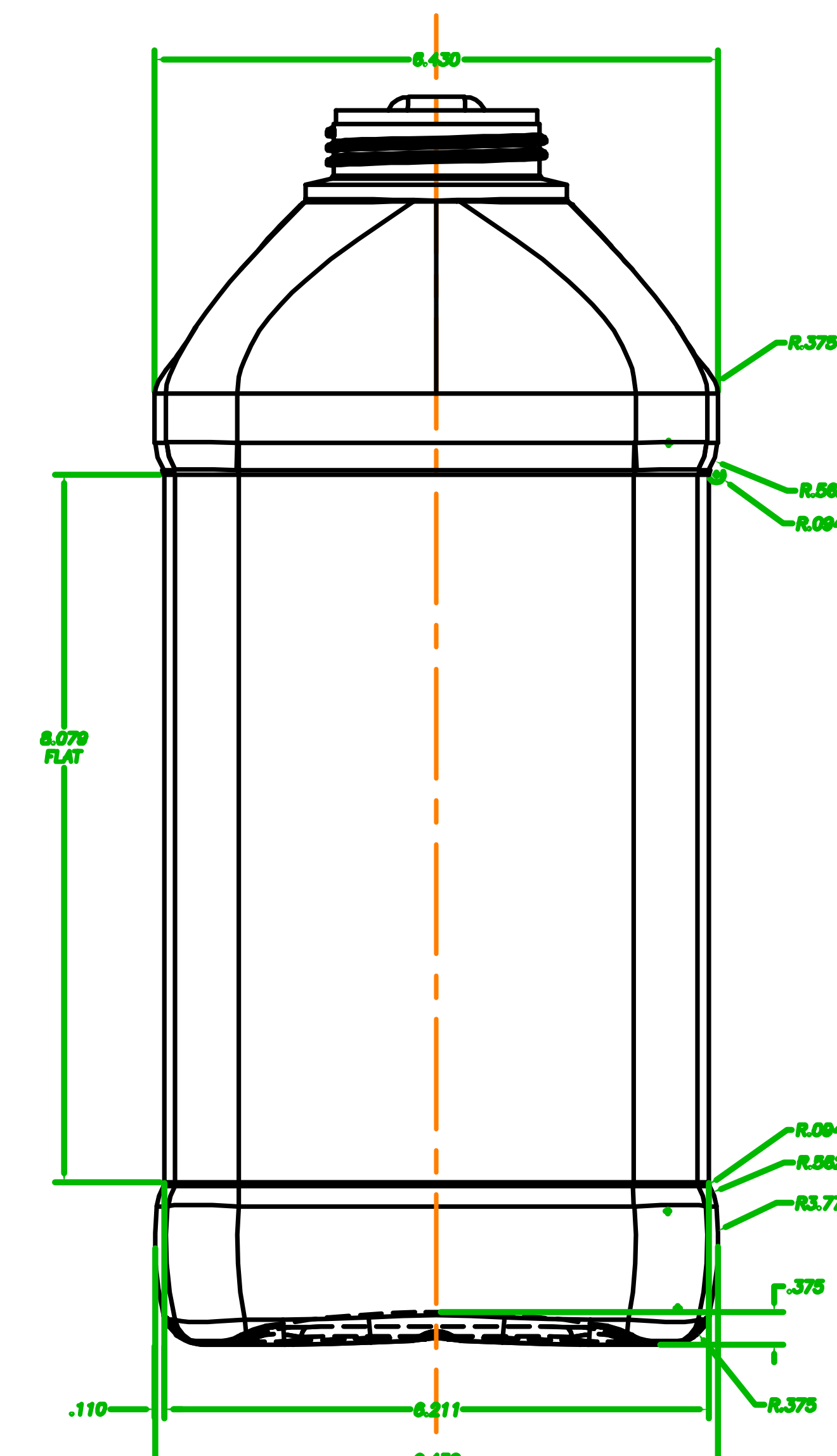
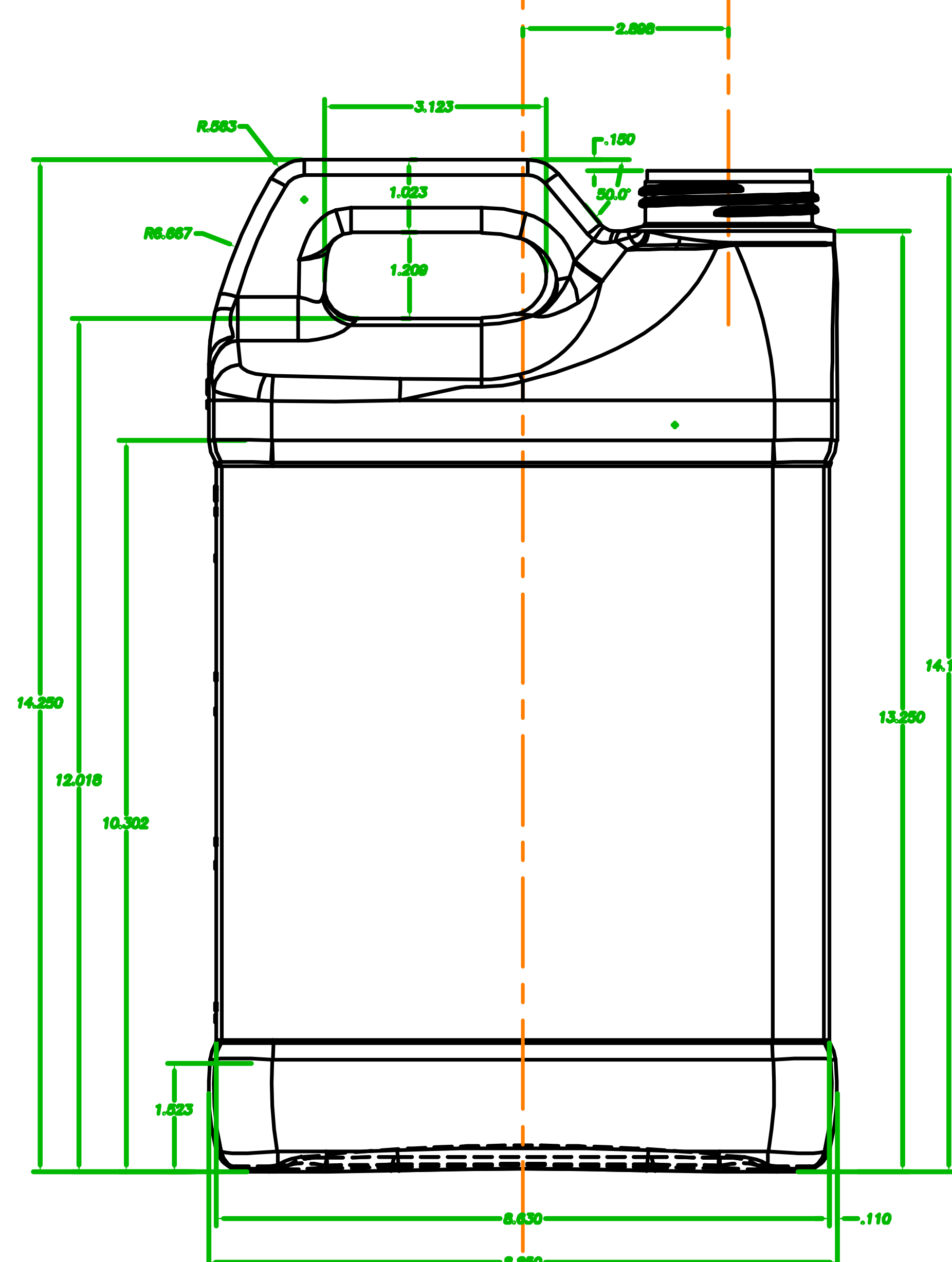
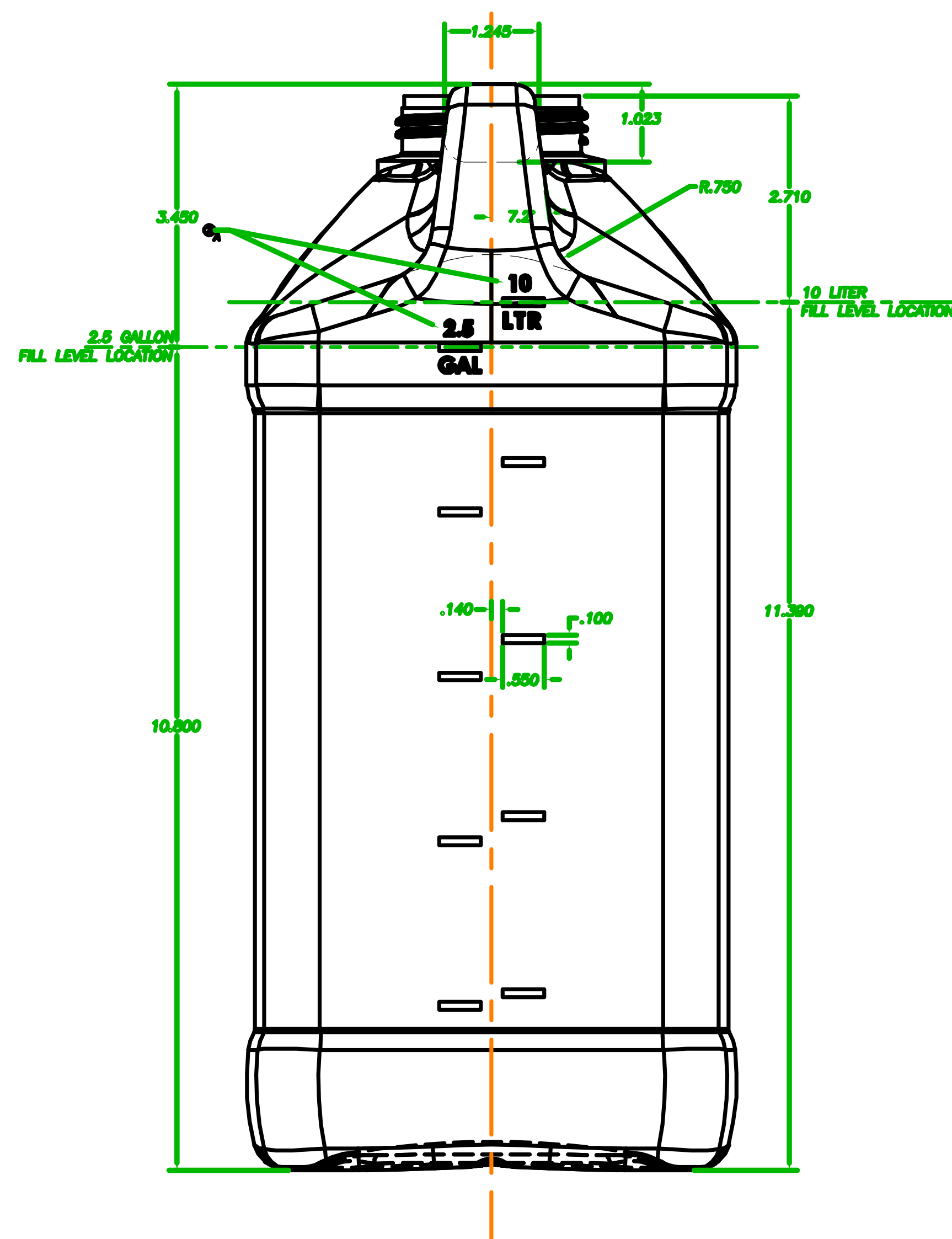
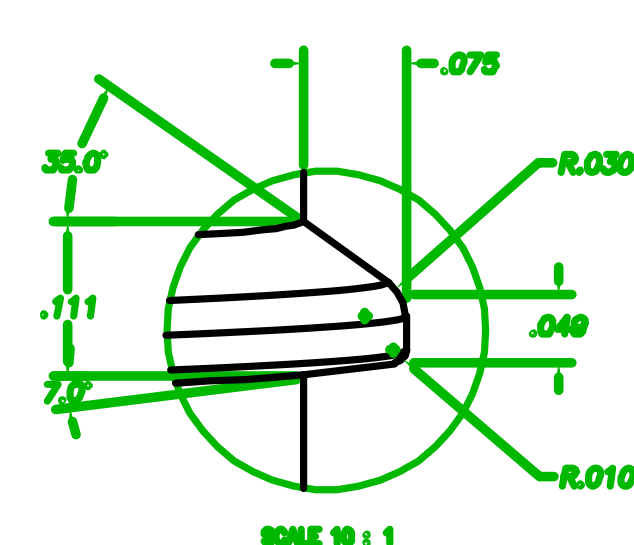


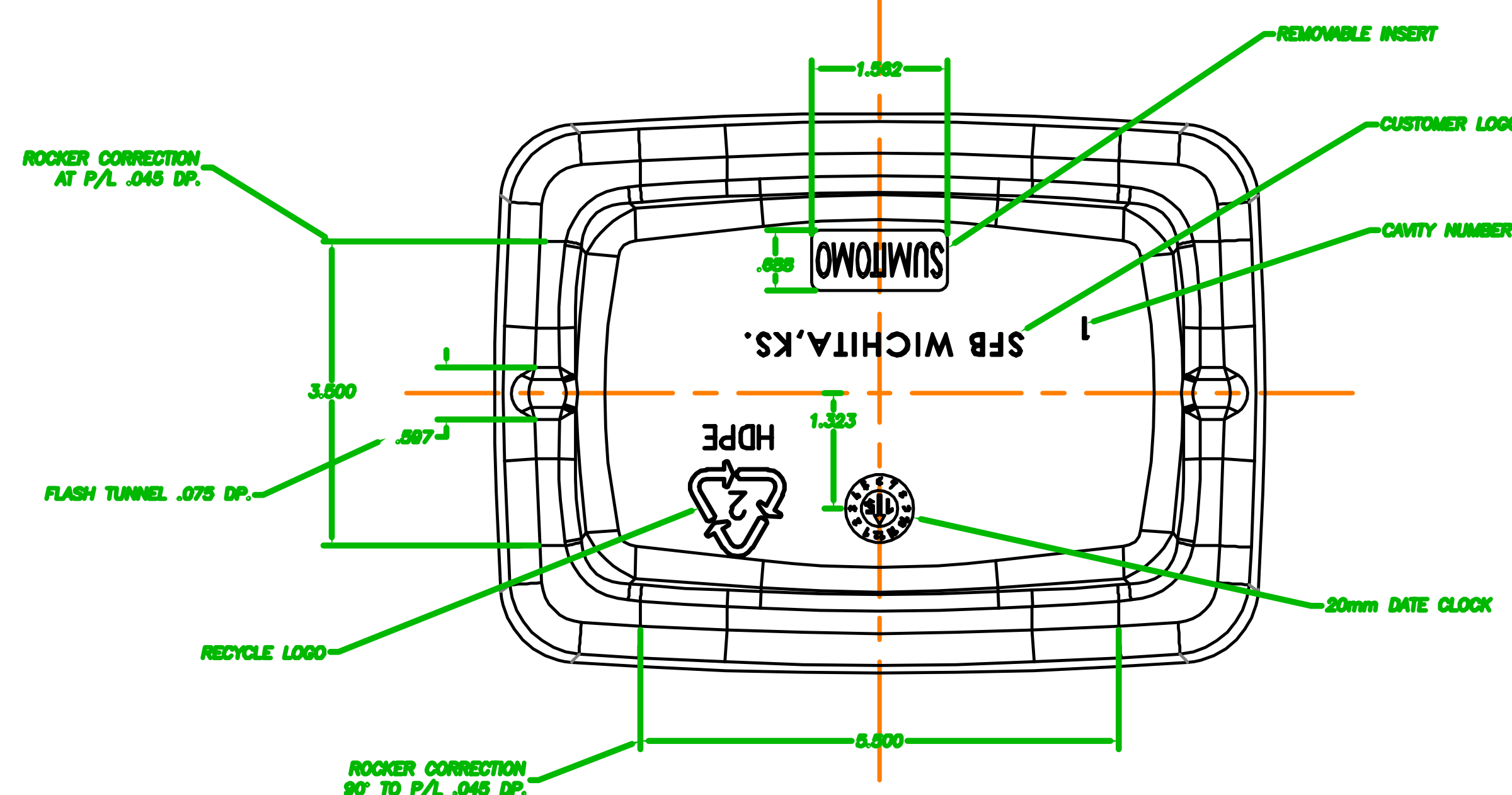
SCALE 2 : 1



BLOW UP NECK FINISH
SCALE 2 : 1



SCALE 10 : 1



NECK FINISH: M63-485 FINISH		HELIX < 1' 16'				
THREAD ROTATIONS: 2.0	T.P.I.: 6	CUTTER DIA: .500				
	T	E	H	S	BON	STEP
MAXIMUM	2.522	2.372	.810	.175	2.985	2.312
MINIMUM	2.487	2.337	.780	.205	2.965	2.277
MEAN	2.505	2.355	.795	.190	2.980	2.295
FILL POINT CAPACITY: 320.00 FLOZ. (2.50 GALLONS)						
BOTTLE BULGE: 14.10 FLOZ. (.11 GALLONS)						
OVERFLOW CAPACITY INCLUDING BULGE: 363.16 FLOZ. (2.84 GALLONS)						
GRAM WEIGHT: 340.00 GRAMS ±5.0						
PRODUCT MATERIAL: H.D.P.E.						

DISCLAIMER

THIS INFORMATION IS PROVIDED AS A GENERAL GUIDE, INCLUDING DIMENSIONS. IT IS THE CUSTOMER'S RESPONSIBILITIES TO SELECT THE PROPER CONTAINER FOR PRODUCT AND APPLICATION COMPATIBILITY.

DISTRIBUTED BY:



REF NO.:

DWG31021

DESCRIPTION:

2.5 Gallon Natural HDPE F-Style, 63-485, 330 gram