

Plastic Premium Inflator



Gauged or Non-gauged

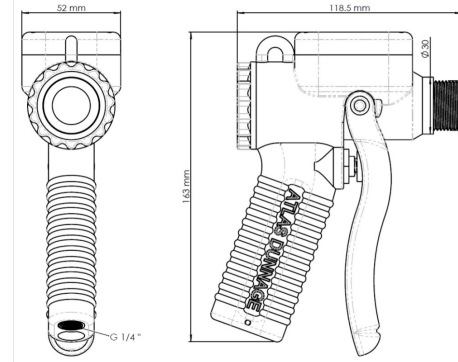
Our premium fibre based inflation tool with or without a digital gauge. Maximize your cargo securement by putting the correct amount of pressure into your dunnage bag.

The inflator has a venturi shut-off on the back end.

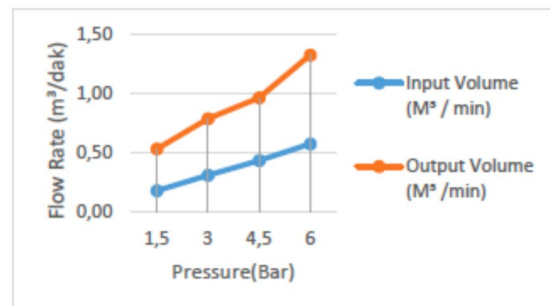
Can be used and interchanged with any of our inflation tips.

Technical Specifications

- Material: Nylon (PA6)
- Weight: 0.30kg / 0.66lb
- Loudness: 78 dB at 6 bar /87 PSI
- Standard inlet thread: G 1/4"
- Standard outlet thread: G 3/4"
- Min. Working Pressure: 1 PSI
- Max. Working Pressure: 1.4 PSI
- Optional Inlet Thread: 1/4" NPT



Bar	Vol In m ³ / min	Vol Out m ³ /min
1,5	0,18	0,53
3	0,31	0,79
4,5	0,43	0,97
6	0,57	1,33



- ✓ Sustainable
- ✓ Recyclable
- ✓ Independently Certified

DISTRIBUTED BY:



REF NO.:

DWG50001

DISCLAIMER
THIS INFORMATION IS PROVIDED AS A GENERAL GUIDE, INCLUDING DIMENSIONS. IT IS THE CUSTOMER'S RESPONSIBILITIES TO SELECT THE PROPER CONTAINER FOR PRODUCT AND APPLICATION COMPATIBILITY.

DESCRIPTION:
Dunnage Bag Inflator Green Premium Economy Quick Connect Tip