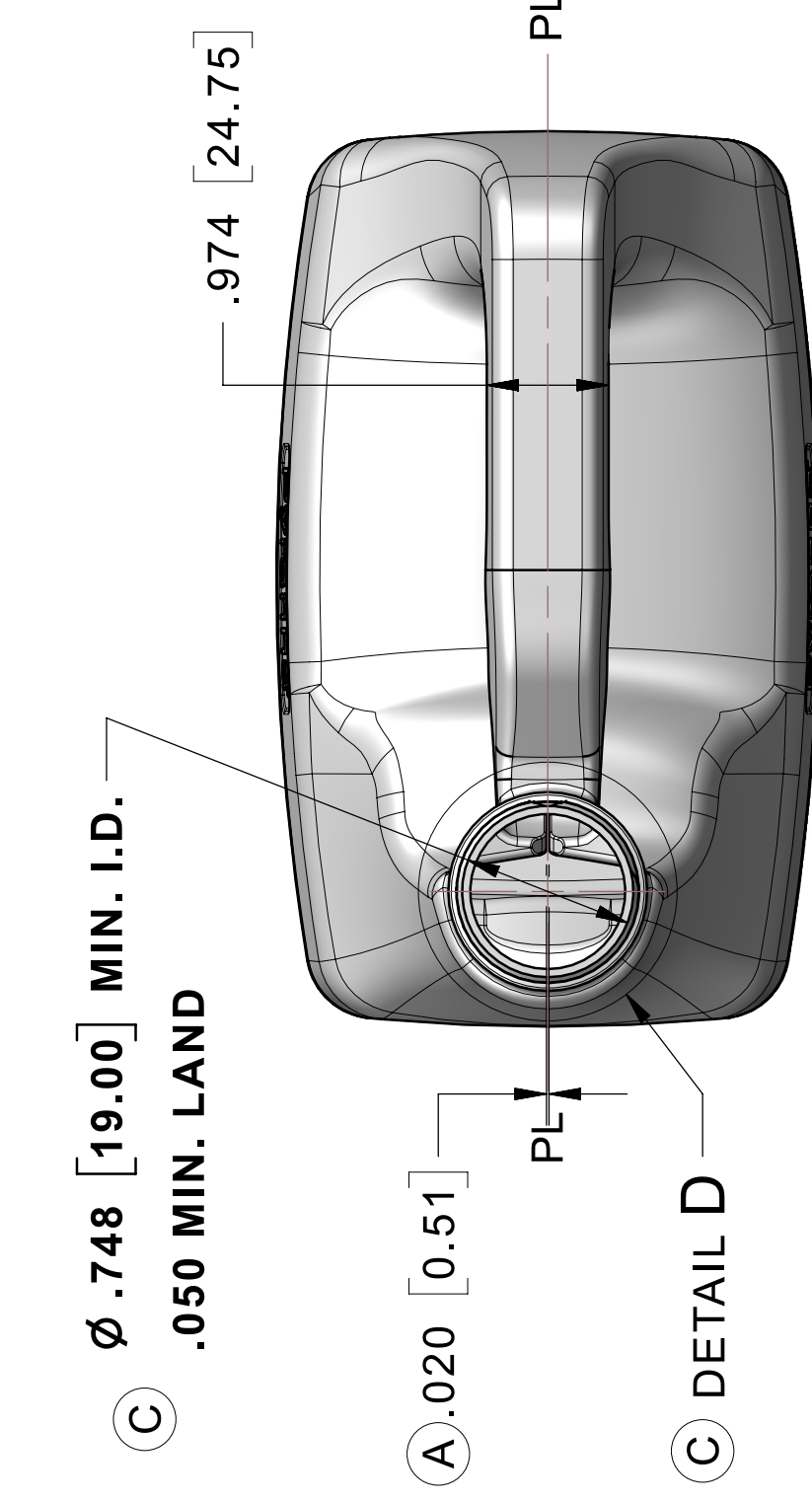


SEMI-INTERRUPTED THREAD  
ONE SIDE ONLY

SECTION E-E  
SCALE 2:1



Ø .748 [19.00] MIN. I.D.  
.050 MIN. LAND

PL

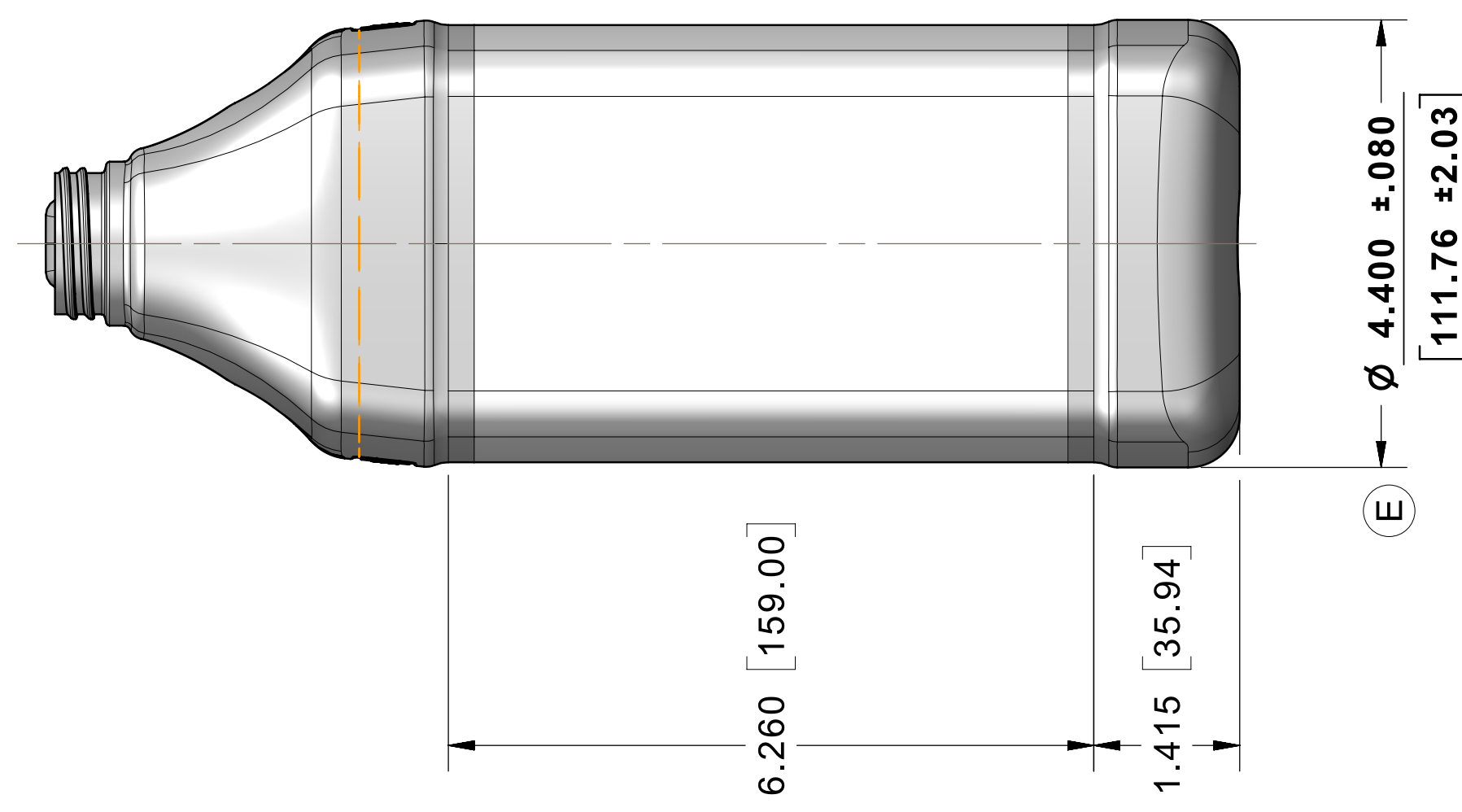
PL

PL

DETAIL D

TO ANTI-GLUG FEATURE

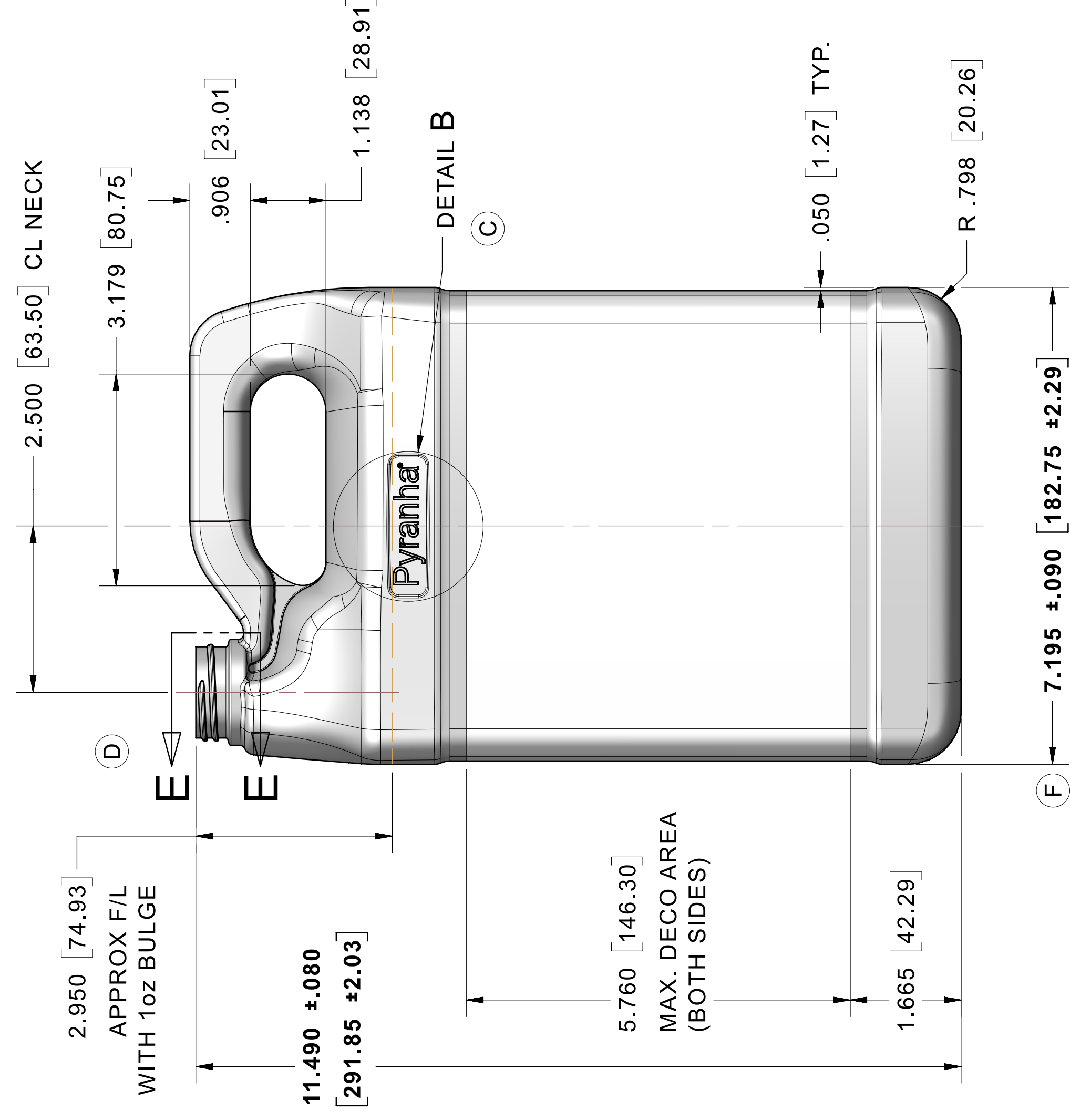
DETAIL D  
SCALE 2:1



6.260 [159.00]

1.415 [35.94]

Ø 4.400 ±.080  
[111.76 ±2.03]



2.950 [74.93]  
APPROX F/L  
WITH 1oz BULGE

11.490 ±.080  
[291.85 ±2.03]

5.760 [146.30]  
MAX. DECO AREA  
(BOTH SIDES)

1.665 [42.29]

7.195 ±.090 [182.75 ±2.29]

R .798 [20.26]

2.500 [63.50] CL NECK

3.179 [80.75]

.906 [23.01]

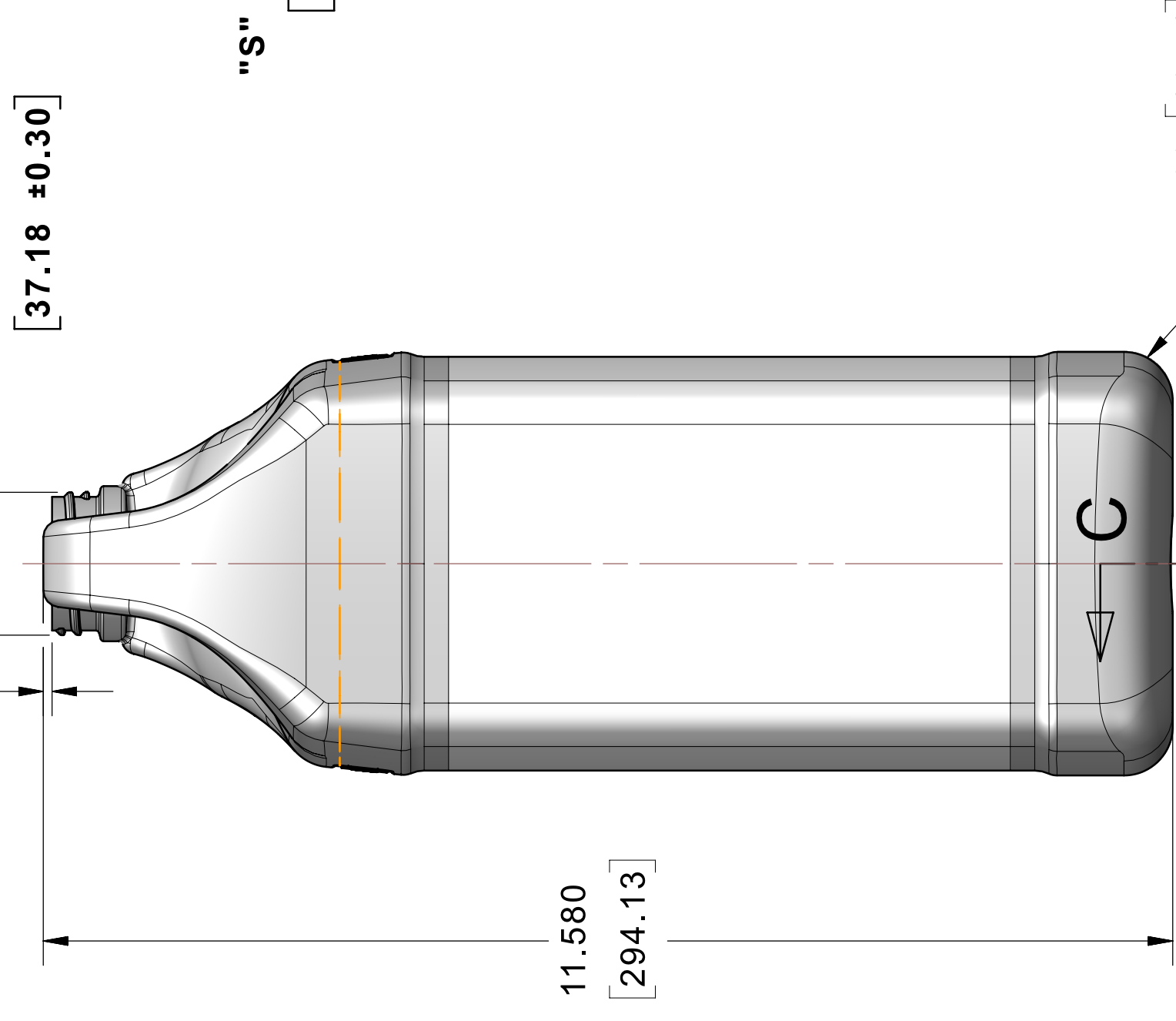
1.138 [28.91]

DETAIL B

DETAIL C

.050 [1.27] TYP.

R .500 [12.71]



.090 [2.29]

"S" .038 ±.015  
[0.97 ±0.38]

"H" @ "T"  
.488 ±.015  
[12.39 ±0.38]

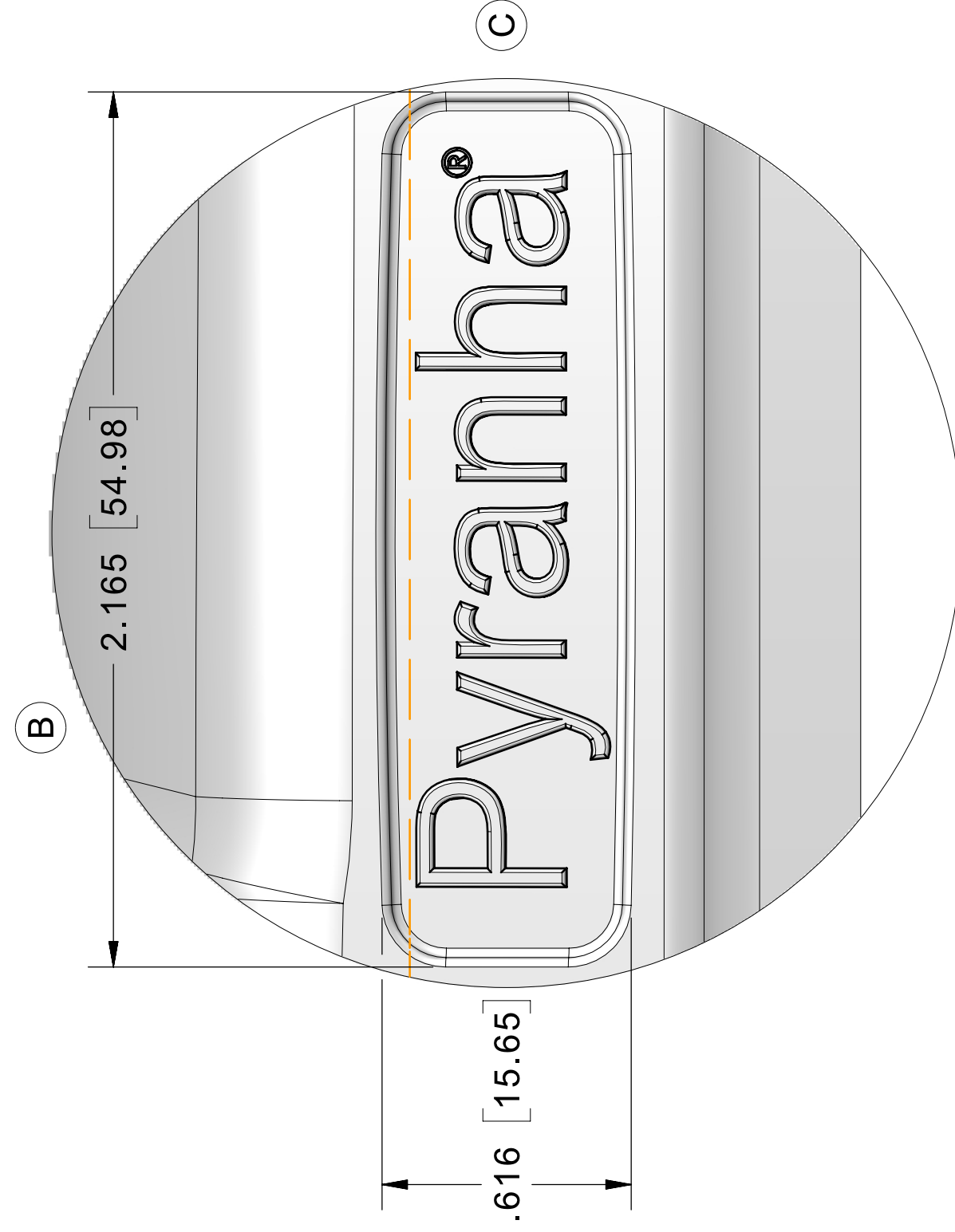
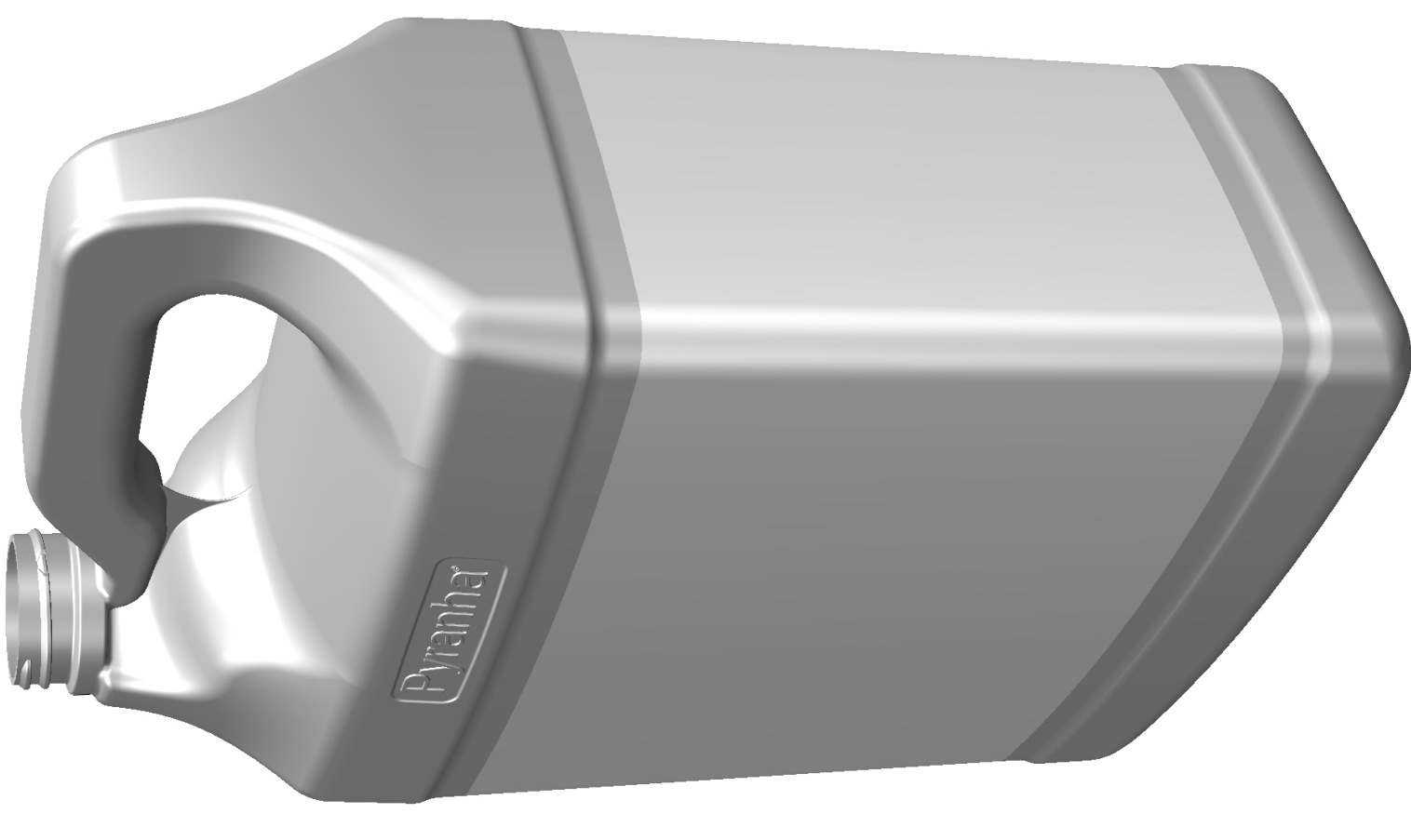
"E" Ø 1.370 ±.012  
[34.80 ±0.30]

Ø 1.590 [40.39]

5° DRAFT

FINISH DETAIL  
SCALE 2:1

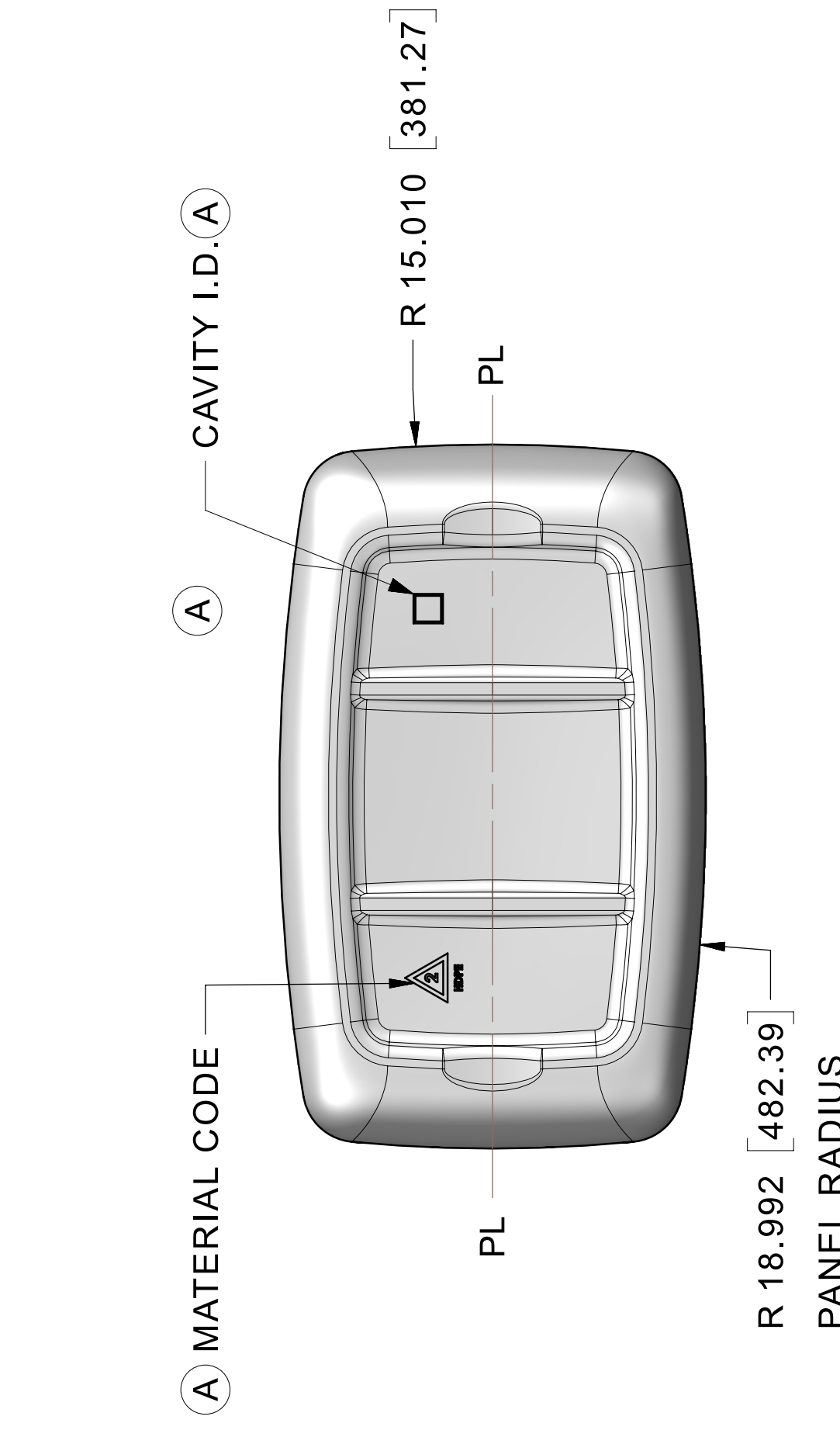
38mm SP400 (SPECIAL "H")  
WITH 1.5 TURNS THREAD



.616 [15.65]

2.165 [54.98]

DETAIL B  
SCALE 2:1



R 18.982 [482.39]  
PANEL RADIUS

PL

PL

PL

CAVITY I.D. (A)

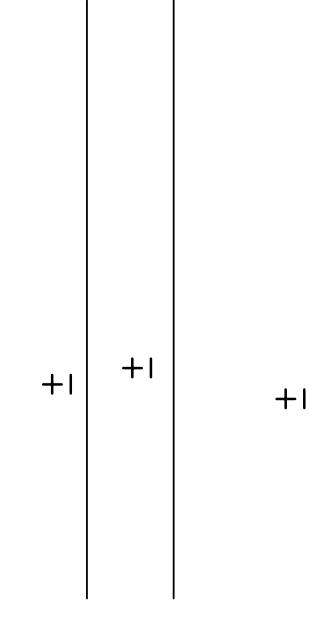
R 15.010 [381.27]

.120 [3.05]  
PUSH-UP HEIGHT

.071 [1.79] TYP.

.020 [0.51]

SECTION C-C  
SCALE 1:1



±

±

±

**DISCLAIMER**

THIS INFORMATION IS PROVIDED AS A GENERAL GUIDE, INCLUDING DIMENSIONS. IT IS THE CUSTOMER'S RESPONSIBILITIES TO SELECT THE PROPER CONTAINER FOR PRODUCT AND APPLICATION COMPATIBILITY.

DISTRIBUTED BY: **Pipeline Packaging**

REF NO.: **DWG30398**

DESCRIPTION:

128 oz Green HDPE F-Style, 38-400