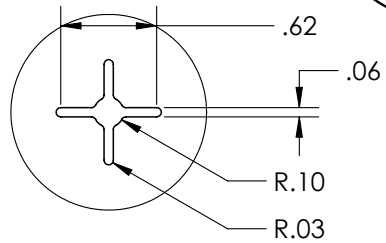
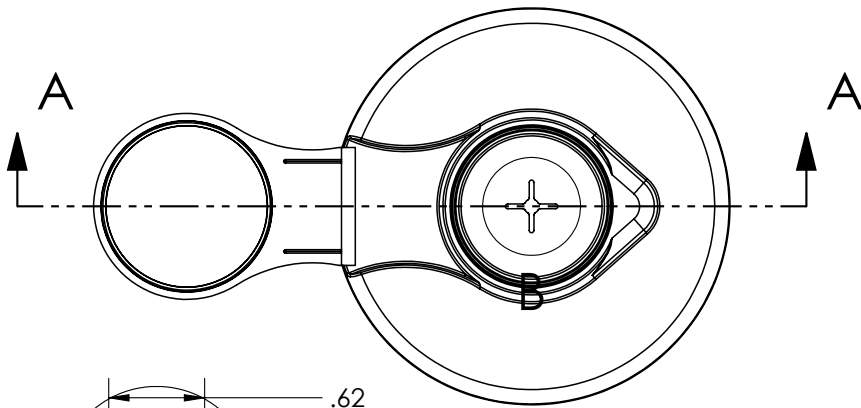
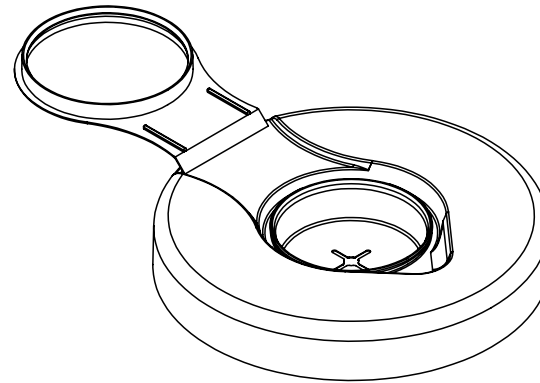
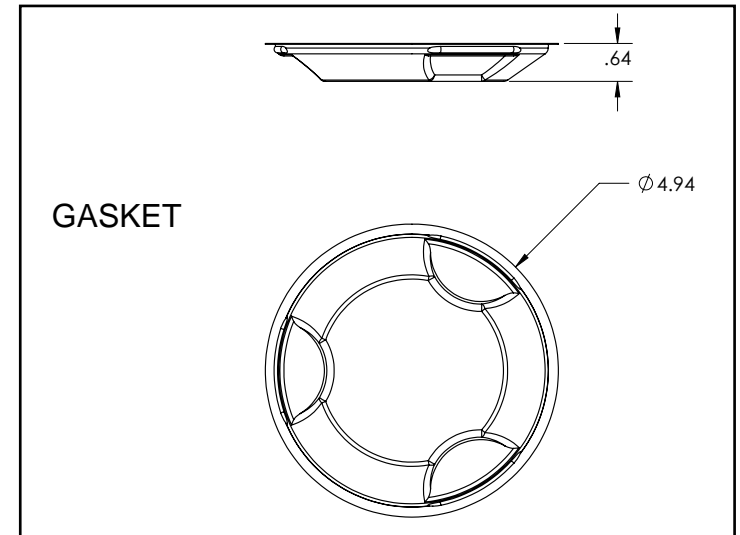


SECTION A-A



DETAIL B  
SCALE 1 : 1



**DISCLAIMER**

THIS INFORMATION IS PROVIDED AS A GENERAL GUIDE, INCLUDING DIMENSIONS. IT IS THE CUSTOMER'S RESPONSIBILITIES TO SELECT THE PROPER CONTAINER FOR PRODUCT AND APPLICATION COMPATIBILITY.

DISTRIBUTED BY:



REF NO.:

DWG31201

DESCRIPTION:

128 mm White LLDPE Plastic Snap On Cap w/ Seal